

2023

PRODUCT CATALOG



OZ9 V2 PRODUCTS

True modularity has been achieved with the release of the OZ9V2. Full customization is at hand with three slide lengths, threaded or non-threaded barrels, and two grip sizes, giving you a total of ten configurations to choose from. All from one single platform.

Our patented compact steel receiver is the serialized component that can easily be interchanged between grip sizes with the removal of a single-pin. The trigger is housed in the steel receiver allowing for grip changes without completely breaking down the pistol. Slide and barrel swaps allow you to now convert a compact to a full-size and back again.

OZ9V2 slides are a hybrid design that combine upgraded Gen5 internals and Gen5 barrels with a Gen3 recoil system. This change gives the OZ9V2 its true modularity by utilizing the compact receiver with the three sizes of slide and barrel combinations: Compact, Full-Size, and Long.

Additional grip colors, along with multiple sized magwells, are available to facilitate further customization to best fit your requirements.

The OZ9V2 is compatible with ZEV components and accepts GLOCK® mags.

OZ9V2 ELITE includes the following:

- ZEV Signature OZ9V2 SlideDLC
- ZEV Optimized Barrel.....BRONZE
- ZEV PRO Flat Face Trigger BLACK/RED
- ZEV OZ9C Grip BLACK
- ZEV OZ9 Magwell.....PRO
- ZEV OZ9 Custom Nanuk Case

Compact Grip models:

- Magpul PMAG® 15 GL9®, 9x19 – GLOCK® G19®..... Qty: 2

X Grip models:

- Magpul PMAG® 17 GL9®, 9x19 – GLOCK® G17®..... Qty: 2

NOTE: OZ9C Compact specific parts (slide, barrel, grip) are **NOT COMPATIBLE** nor interchangeable with the OZ9.

COMPACT

Caliber..... 9mm
 Trigger Pull 4.5 lbs.
 Width 1.624"
 Height 5.022"
 Slide Length 6.75"
 Weight 1.543 lbs.
 Grip Size Compact

SKU OZ9-V2-E-C



COMPACT THREADED

Caliber..... 9mm
 Trigger Pull 4.5 lbs.
 Width 1.624"
 Height 5.022"
 Slide Length 6.75"
 Weight 1.543 lbs.
 Grip Size Compact

SKU OZ9-V2-E-C-TH



FULL-SIZE

Caliber..... 9mm
 Trigger Pull 4.5 lbs.
 Width 1.624"
 Height 5.522"
 Slide Length 7.25"
 Weight 1.615 lbs.
 Grip Size X

SKU OZ9-V2-E-F-X



LONG

Caliber..... 9mm
 Trigger Pull 4.5 lbs.
 Width 1.624"
 Height 5.522"
 Slide Length 8.0"
 Weight 1.7 lbs.
 Grip Size X

SKU OZ9-V2-E-L-X



The OZ9V2 Hyper-comp X brings the benefits of a compensator to the popular compact platform without adding any extra length or mass. The Hyper-comp features four tapered vertical ports integrated into the top of the barrel that vents gases upward to reduce muzzle rise, creating one of the flattest shooting compacts available.

The OZ9V2 Hyper-comp X combines the compact OZ9V2 receiver and a full size X grip to create a pistol that is easier to control and handle than the OZ9V2 Compact without added weight or length.

The slide has a top channel cut-out that extends to the front of the barrel opening, allowing the front sight to be pinned directly to the barrel, making it easier to track the sight during recoil as it does not reciprocate with the slide. This unique ported barrel design allows for easy barrel disassembly for cleaning and maintenance that compensated guns typically need, without having to remove a compensator.

Our patented compact steel receiver is the serialized component that can easily be interchanged between grip sizes with the removal of a single-pin. The trigger is housed in the steel receiver allowing for grip changes without completely breaking down the pistol. Slide and barrel swaps allow you to now convert a compact to a full-size and back again.

OZ9V2 slides are a hybrid design that combine upgraded Gen5 internals and Gen5 barrels with a Gen3 recoil system

Additional grip sizes and colors, and multiple sized magwells are available to facilitate further customization by end-users. The OZ9C is compatible with ZEV components and accepts GLOCK® pattern magazines.

The OZ9C Compact Hyper-comp includes the following:

- ZEV Exclusive OZ9V2 Compact Hyper-comp SlideDLC
- ZEV Optimized Match Grade Ported BarrelBRONZE
- ZEV PRO Flat Face Trigger BLACK/RED
- ZEV OZ9C X Grip..... BLACK
- Magpul PMAG® 17 GL9®, 9x19 – GLOCK® G17® Qty: 2
- ZEV OZ9 PRO Magwell
- ZEV OZ9 Custom Nanuk Case

NOTE: OZ9C Compact specific parts (slide, barrel, grip) are **NOT COMPATIBLE** nor interchangeable with the OZ9.



X

Caliber..... 9mm
 Trigger Pull 4.5 lbs.
 Width..... 1.624"
 Height..... 5.022"
 Slide Length 6.75"
 Weight..... 1.59 lbs.
 Grip Size X

SKU OZ9-V2-E-C-X-HYP



Hyper-Comp name used by permission of High Performance Firearms LLC.

The ZEV OZ9V2 Combat is optimized for durability without compromising on performance. Built with ZEV's windowless OZ9V2 Combat slide, PRO match barrel, and PRO Curved Face Trigger, the OZ9V2 Combat is tailored to meet the stringent requirements of the discerning professional user.

Now offered with an FDE slide and FDE grip. Available in three configurations: Compact, Compact X, and Full-Size..

The Compact X combines the compact OZ9V2 compact receiver and a full-size X grip to create a pistol that is easier to control and handle than the OZ9V2 Compact without added weight or length.

The Full-Size combines the compact receiver and X grip with the new V2 full-size slide giving you a longer barrel and slide on the compact platform.

OZ9V2 slides are a hybrid design that combine upgraded Gen5 internals and Gen5 barrels with a Gen3 recoil system.

Our patented compact steel receiver is the serialized component that can easily be interchanged between grip sizes with the removal of a single pin. The trigger is housed in the steel receiver allowing for grip changes without completely breaking down the pistol.

Additional grip colors, along with multiple sized magwells, are available to facilitate further customization to best fit your requirements.

The OZ9V2 is compatible with ZEV components and accepts GLOCK® mags.

OZ9V2 ELITE includes the following:

- ZEV OZ9V2 Combat Slide FDE
- ZEV PRO Barrel BLACK DLC
- ZEV PRO Curved Face Trigger BLACK/BLACK
- ZEV OZ9C Grip (Compact or X) FDE

Compact Grip model:

- Magpul PMAG® 15 GL9®, 9x19 – GLOCK® G19® Qty: 2

X Grip model:

- Magpul PMAG® 17 GL9®, 9x19 – GLOCK® G17® Qty: 2

NOTE: OZ9C Compact specific parts (slide, barrel, grip) are **NOT COMPATIBLE** nor interchangeable with the OZ9.



COMPACT

Caliber..... 9mm
 Trigger Pull 4.5 lbs.
 Width..... 1.624"
 Height..... 5.022"
 Slide Length 6.75"
 Weight..... 1.543 lbs.
 Grip Size Compact

SKU OZ9-V2-COM-C-FDE



X

Caliber..... 9mm
 Trigger Pull 4.5 lbs.
 Width..... 1.624"
 Height..... 5.522"
 Slide Length 6.75"
 Weight..... 1.571 lbs.
 Grip Size X

SKU OZ9-V2-COM-C-X-FDE



FULL-SIZE

Caliber..... 9mm
 Trigger Pull 4.5 lbs.
 Width..... 1.624"
 Height..... 5.522"
 Slide Length 7.25"
 Weight..... 1.615 lbs.
 Grip Size X

SKU OZ9-V2-COM-F-X-FDE



OZ9 V1 PRODUCTS

The ZEV OZ9 Duty, features the same functionality and modularity of the OZ9 in a configuration optimized for durability without compromising on performance. Built with ZEV's windowless Duty slide, PRO match barrel, and PRO Curved Face Trigger, the OZ9 Duty is tailored to meet the stringent requirements of the discerning professional user.

Available in three configurations, Standard, Compact, and the X Compact. The X Compact combines the compact OZ9C receiver and a full size X grip to create a pistol that is easier to control and handle than the OZ9C Compact without added weight or length.

The OZ9 was designed and created for balance. It's one of the first things you notice when holding this pistol. Balance equates to what every shooter is looking for; a more controllable pistol with less felt recoil, less muzzle flip and faster, more accurate follow-up shots.

At the heart of the OZ9 is our patented Steel Receiver. This solid steel frame runs the length of the entire pistol allowing the locking block to be fully integrated. The extended rails in the steel receiver help provide more than double the surface area of contact to the slide. Additional benefits include channels that clear out debris while also acting as lubricating reservoirs for high friction areas.

Having a singular component for the slide to travel along minimizes vibration and recoil energy by dispersing it along the receiver through the custom grip. A single take-down pin conveniently located at the front of the trigger guard locks the removable grip to the steel receiver.

By design, the trigger is housed in the steel receiver allowing for future grip upgrades without completely breaking down the pistol. Our improved grips have steeper angles, and forward hand position keeping the muzzle down, and pointing straighter.

Additional grip sizes and colors, along with multiple sized magwells, are available to facilitate further customization to best fit your requirements. The OZ9 is compatible with ZEV components and accepts GLOCK® mags.

The OZ9 Duty includes the following:

- ZEV Duty Slide.....BLACK NITRIDE
- ZEV PRO Barrel.....BLACK NITRIDE
- ZEV PRO Curved Face Trigger..... BLACK/BLACK

Standard & C-X:

- Magpul PMAG® 17 GL9®, 9x19 – GLOCK® G17®..... Qty: 2

Compact:

- Magpul PMAG® 15 GL9®, 9x19 – GLOCK® G19®..... Qty: 2

NOTE: OZ9C Compact specific parts (slide, barrel, grip) are **NOT COMPATIBLE** nor interchangeable with the OZ9.



COMPACT

Caliber..... 9mm
 Trigger Pull..... 4.5 lbs.
 Width..... 1.624"
 Height..... 5.022"
 Slide Length..... 6.75"
 Weight..... 1.543 lbs.
 Grip Size..... Compact

SKU OZ9-C-DUTY



X

Caliber..... 9mm
 Trigger Pull..... 4.5 lbs.
 Width..... 1.624"
 Height..... 5.522"
 Slide Length..... 6.75"
 Weight..... 1.571 lbs.
 Grip Size..... X

SKU OZ9-X-DUTY



STANDARD

Caliber..... 9mm
 Trigger Pull..... 4.5 lbs.
 Width..... 1.624"
 Height..... 5.522"
 Slide Length..... 7.25"
 Weight..... 1.75 lbs.
 Grip Size..... Standard

SKU OZ9-S-DUTY

STANDARD

Modify your OZ9 Standard with additional grip kits available in Black, Flat Dark Earth (FDE) and Gray. Easily customize the look of your OZ9 with a different colored grip. Simply remove the take-down pin, swap grips, and re-install the take-down pin. No need to remove the trigger, as it remains installed in the OZ9 receiver. Trigger pins are housed by the grip internally, not through the grip like other platforms.

OZ9 Standard Grip is compatible with G17 size magazines.

ZEV OZ9 Standard Grip Kit features:

- Ready to install out of the box
- ZEV Gen4 Magazine Release installed
- Take-down pin included
- Compatible with all OZ9 magwells

NOTE:

OZ9 Standard grips are **NOT COMPATIBLE** nor interchangeable with the Compact OZ9 and OZ9 V2 models.



• Compatible with G17 size magazines.



STANDARD BLACK

SKU GRIP.KIT-OZ9-STD-B

STANDARD FDE

SKU GRIP.KIT-OZ9-STD-FDE

STANDARD GRAY

SKU GRIP.KIT-OZ9-STD-GRY

SHORTY

The OZ9 Shorty grip was designed for those looking to run a compact sized grip on the OZ9 Standard. Switch between competition and concealed carry with the same firearm. Simply remove the take-down pin, swap grips, and re-install the take-down pin. No need to remove the trigger, as it remains installed in the OZ9 receiver. Trigger pins are housed by the grip internally, not through the grip like other platforms.

ZEV OZ9 Shorty Grip Kit features:

- Ready to install out of the box
- ZEV Gen4 Magazine Release installed
- Take-down pin included
- Compatible with all OZ9 magwells

NOTE:

OZ9 Shorty grips are **NOT COMPATIBLE** nor interchangeable with the Compact OZ9 and OZ9 V2 models.



• Compatible with G19 and G17 size magazines.



SHORTY BLACK

SKU GRIP.KIT-OZ9-SHORTY-B

SHORTY FDE

SKU GRIP.KIT-OZ9-SHORTY-FDE

SHORTY GRAY

SKU GRIP.KIT-OZ9-SHORTY-GRY

COMPACT

Modify your OZ9 Compact with additional grip kits available in Black, Flat Dark Earth (FDE) and Gray. Easily customize the look of your OZ9 Compact with a different colored grip. Simply remove the take-down pin, swap grips, and re-install the take-down pin. No need to remove the trigger, as it remains installed in the OZ9 receiver. Trigger pins are housed by the grip internally, not through the grip like other platforms.

Compatible with the OZ9 V2.
OZ9 Compact Grip is compatible with G19 and G17 size magazines.

ZEV OZ9 Compact Grip Kit features:

- Ready to install out of the box
- ZEV Gen4 Magazine Release installed
- Take-down pin included
- Compatible with all OZ9 magwells

NOTE:
OZ9 Compact grips are **NOT COMPATIBLE** nor interchangeable with the Standard OZ9.



• Compatible with G19 and G17 size magazines.



COMPACT BLACK

SKU GRIP.KIT-OZ9C-CPT-B

COMPACT FDE

SKU GRIP.KIT-OZ9C-CPT-FDE

COMPACT GRAY

SKU GRIP.KIT-OZ9C-CPT-GRY

X

The OZ9 X Grip was designed for those looking to run a full sized grip on the Compact OZ9. Switch between competition and concealed carry with the same firearm. Simply remove the take-down pin, swap grips, and re-install the take-down pin. No need to remove the trigger, as it remains installed in the OZ9 receiver. Trigger pins are housed by the grip internally, not through the grip like other platforms.

Compatible with the OZ9 V2.
OZ9 Compact Grip is compatible with G17 size magazines.

ZEV OZ9 X Grip Kit features:

- Ready to install out of the box
- ZEV Gen4 Magazine Release installed
- Take-down pin included
- Compatible with all OZ9 magwells

NOTE:
OZ9 Compact grips are **NOT COMPATIBLE** nor interchangeable with the Standard OZ9.



• Compatible with G17 size magazines.



X BLACK

SKU GRIP.KIT-OZ9C-X-B

X FDE

SKU GRIP.KIT-OZ9C-X-FDE

X GRAY

SKU GRIP.KIT-OZ9C-X-GRY

OZ9 PRO MAGWELL

The ZEV Technologies OZ9 PRO Magwell was designed for the professional shooter that is looking to enhance the look and performance of their OZ9 while maintaining a lower profile than the PRO-Plus magwell. The one piece design facilitates easy installation and utilizes a single pin to securely mount to the OZ9 grip. Designed to fit all models of the OZ9 grip.

The ZEV PRO Magwell was designed and tested for compatibility with standard capacity factory magazines.

- One piece 6061 aluminum design
- Type III anodized finish
- Includes magwell pin
- Compatible with all models of the OZ9 grip



SKU MW.K-OZ9-PRO-B

OZ9 PRO PLUS MAGWELL

The ZEV Technologies OZ9 PRO Plus Magwell was designed for the professional shooter that is looking to enhance the look and performance of their OZ9. The one piece design facilitates easy installation and utilizes a single pin to securely mount to the OZ9 grip. Designed to fit all models of the OZ9 grip.

The ZEV OZ9 PRO Plus Magwell was designed and tested for compatibility with standard capacity factory magazines as well as magazines fitted with ZEV basepad magazine extensions. It also incorporates a pass-through hole at the back for lanyard retention.

- One piece 6061 aluminum design
- Type III anodized finish
- Includes magwell pin
- Compatible with all models of the OZ9 grip



SKU MW.K-OZ9-PRO-PLUS-B



GLOCK COMPATIBLE PRODUCTS

ZEV Technologies introduces a new level of modularity to the Gen3 G19 platform with Citadel Conversion Slides. Just as the name implies, you can now quickly and easily convert your Gen3 G19 for different uses. Offered in two sizes, 19L and 19XL, the longer Citadel Conversion Slides bring increased accuracy and control to the compact platform.

The G19 is a great platform configured for concealed carry, but why stop there? Install a 19L slide and now it's ready for a range day, training class, or home defense. Install the 19XL and now it's ready for competition use. The ZEV Conversion Slides provides the ability to configure one firearm to match any need without having to purchase additional serialized frames.

ZEV Conversion Slides are only compatible with OZ9C and Gen3 G19 frames. Due to the difference in locking lugs between compact and full size frames, ZEV Conversion Slides require the use of ZEV Gen5 G17 or G34 Optimized Match Barrels. ZEV recommends the use of our 20lb. compact recoil spring and guide rod with both the 19L and 19XL, however the use of original G19/O.Z-9C guide rod and springs are acceptable.

ZEV Stripped Conversion Slides features:

- Machined from 17-4 Stainless steel billet
- Lowered ejection port to aid in ejection of brass
- Match grade, precision milled tolerances that are tighter than factory
- Improved accuracy and grouping performance upon installation
- RMR adapter plate included

ZEV O.Z9C Conversion Slide Specifications:

Model	Width	Height	Length	Weight
Citadel 19L	1.0"	.84"	7.25"	10.1 oz.
Citadel 19XL	1.0"	.84"	8"	10.8 oz.

MODEL	GEN	SKU
CITADEL 19L	1-3	SLD-Z19L-3G-CIT-RMR-DLC
CITADEL 19XL	1-3	SLD-Z19XL-3G-CIT-RMR-DLC

NOTE:

- O.Z-9C specific parts (slide, barrel, grip) are **NOT COMPATIBLE** nor interchangeable with the OZ9.
- These slides will **NOT** work on Gen4 or Gen5 frames
- These slides will **NOT** work on G17, G34, or OZ9 frames
- These slides will **NOT** work with Gen3 or Gen4 G17 or G34 barrels
- 19L requires the use of a ZEV Gen5 G17 Optimized Barrel
- 19XL requires the use of a ZEV Gen5 G34 Optimized Barrel



CITADEL 19L



CITADEL 19L SLIDE & ZEV GEN5 G17 OPTIMIZED BARREL

GEN3 G19 FRAME



CITADEL 19XL



CITADEL 19XL SLIDE & ZEV GEN5 G34 OPTIMIZED BARREL

The ZEV Citadel slide features front and rear angled side serrations for a positive grip, as well as channels on the top of the slide to reduce glare. No matter your slide grip location preference during manipulation, press checks, or malfunction clearing drills, the angled serrations keep your hand from slipping off the slide by naturally moving your hand downward and on to the slide when pulling back, whether wearing gloves or not.

Our stainless steel slides are designed to improve accuracy and performance. They are manufactured in our state-of-the-art manufacturing facility from a single billet of 17-4 stainless steel to tighter tolerances than factory slides for increased consistency in barrel lockup which improves accuracy.

All ZEV slides have our patented optic cut which features posts allowing for more thread area keeping your optic securely mounted to your slide.

ZEV slides weigh less than factory slides, therefore reduce reciprocating weight, which reduces fatigue and allows for faster shot follow-up placement.

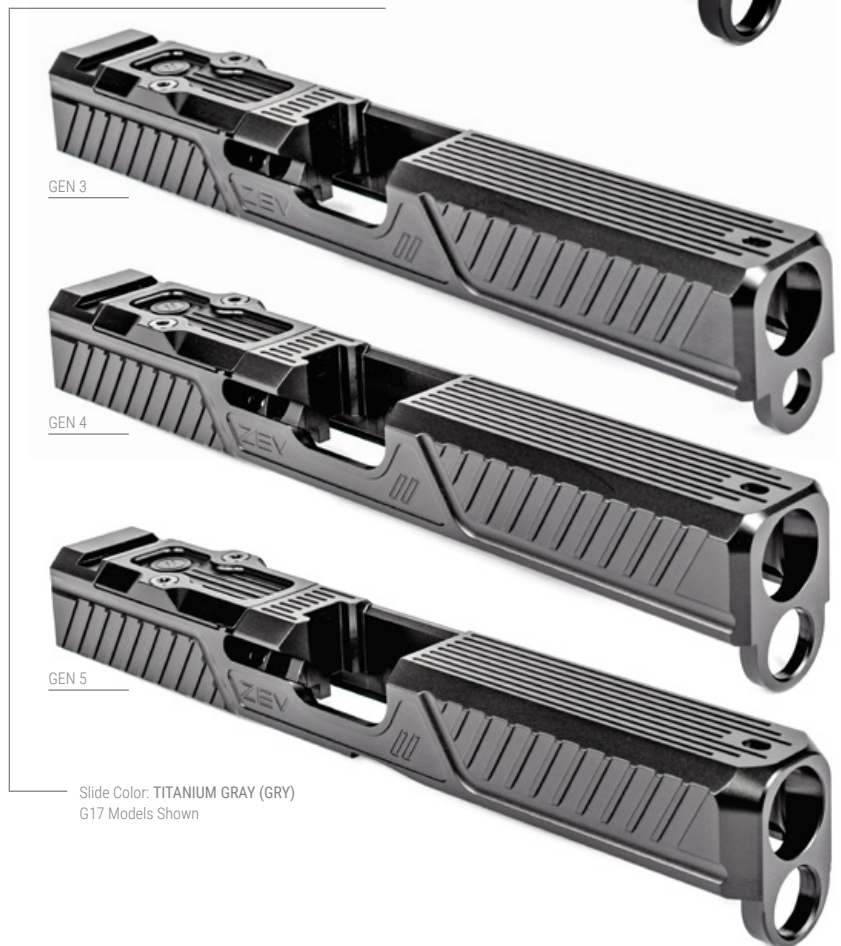
ZEV Stripped Slides features:

- Machined from 17-4 Stainless steel billet
- Lowered ejection port to aid in ejection of brass
- Match grade, precision milled tolerances that are tighter than factory
- Improved accuracy and grouping performance upon installation
- DLC or PVD coatings offered have a Rockwell hardness rating above that of factory coatings
- RMR adapter plate included

ZEV Slide Specifications:

Model	Width	Height	Length	Weight
G19	1.0"	.84"	6.75"	10.66 oz.
G17	1.0"	.84"	7.25"	10.83 oz.

MODEL	GEN	BLACK (DLC)	TITANIUM GRAY (GRY)
19	1-3	SLD-Z19-3G-CIT-RMR-DLC	SLD-Z19-3G-CIT-RMR-GRY
19	4	SLD-Z19-4G-CIT-RMR-DLC	SLD-Z19-4G-CIT-RMR-GRY
19	5	SLD-Z19-5G-CIT-RMR-DLC	SLD-Z19-5G-CIT-RMR-GRY
17	1-3	SLD-Z17-3G-CIT-RMR-DLC	SLD-Z17-3G-CIT-RMR-GRY
17	4	SLD-Z17-4G-CIT-RMR-DLC	SLD-Z17-4G-CIT-RMR-GRY
17	5	SLD-Z17-5G-CIT-RMR-DLC	SLD-Z17-5G-CIT-RMR-GRY



The Duty slides feature the same workmanship and quality that ZEV is known for with a functionally driven design and utilitarian coating for the no-nonsense shooter who is looking to complete a new frame build or to enhance the functionality of their Glock. The black nitride finish provides a durable coating and the patented ZEV RMR cut enables the use of red dot sights using an RMR installation footprint. We've reduced the cost, but not the quality.

ZEV Stripped Slides features:

- Machined from 17-4 Stainless steel billet
- Lowered ejection port to aid in ejection of brass
- Match grade, precision milled tolerances that are tighter than factory
- Improved accuracy and grouping performance upon installation
- Torx wrench and two sets of RMR screws (tall and short) included



NOTE: ZEV RMR Cover Plate not included. Sold separately.

ZEV Slide Specifications:

Model	Width	Height	Length	Weight
G19	1.0"	.84"	6.75"	10.6 oz.
G17	1.0"	.84"	7.25"	10.8 oz.

MODEL	GEN	BLACK
19	1-3	SLD-Z19-3G-DUTY-RMR-BLK
19	4	SLD-Z19-4G-DUTY-RMR-BLK
19	5	SLD-Z19-5G-DUTY-RMR-BLK
17	1-3	SLD-Z17-3G-DUTY-RMR-BLK
17	4	SLD-Z17-4G-DUTY-RMR-BLK
17	5	SLD-Z17-5G-DUTY-RMR-BLK



The Cryo slide is an upgrade to the Duty slide with window cut-outs positioned in front of the barrel lock-up, leaving the front serrations uninterrupted for quick and easy slide manipulations. Cryo slides feature the same workmanship and quality that ZEV is known for with a functionally driven design and utilitarian coating for the no-nonsense shooter who is looking to complete a new frame build or to enhance the functionality of their Glock.

The black nitride finish provides a durable coating and the patented ZEV RMR cut enables the use of red dot sights using an RMR installation footprint. We've reduced the cost, but not the quality.

ZEV Stripped Slides features:

- Machined from 17-4 Stainless steel billet
- Lowered ejection port to aid in ejection of brass
- Match grade, precision milled tolerances that are tighter than factory
- Improved accuracy and grouping performance upon installation
- Torx wrench and two sets of RMR screws (tall and short) included

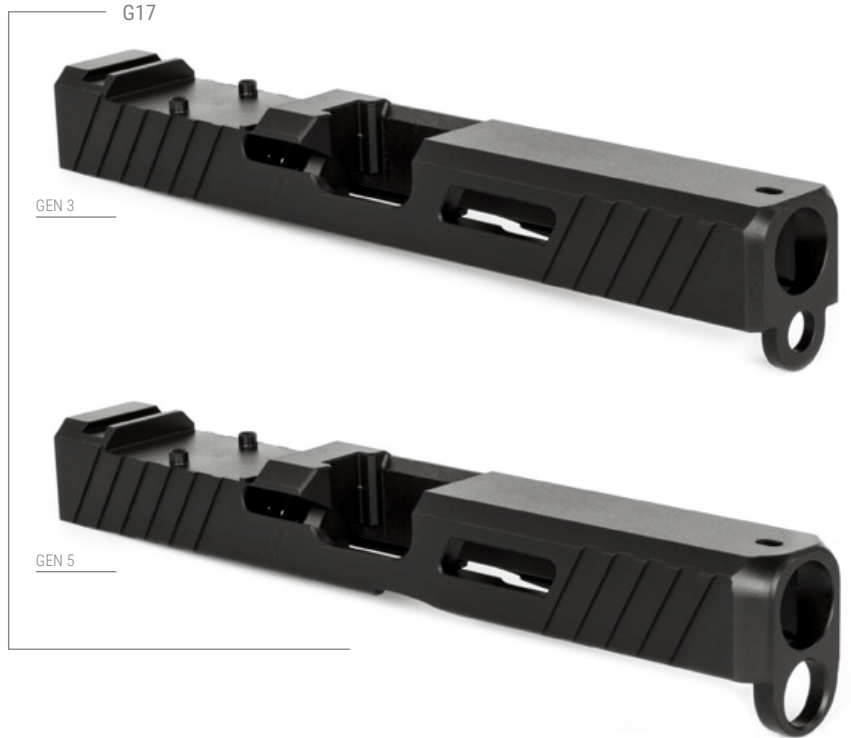
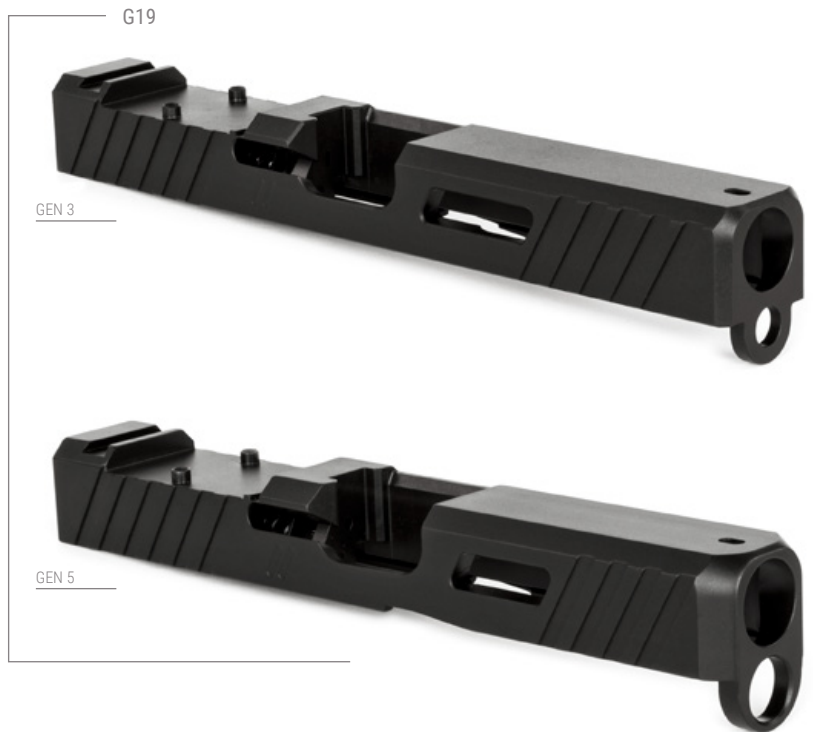


NOTE: ZEV RMR Cover Plate not included. Sold separately.

ZEV Slide Specifications:

Model	Width	Height	Length	Weight
G19	1.0"	.84"	6.75"	8.9 oz.
G17	1.0"	.84"	7.25"	9.1 oz.

MODEL	GEN	BLACK
19	1-3	SLD-Z19-3G-CRYO-RMR-B
19	5	SLD-Z19-5G-CRYO-RMR-B
17	1-3	SLD-Z17-3G-CRYO-RMR-B
17	5	SLD-Z17-5G-CRYO-RMR-B



The Hellbender slide has classic lines and modern features that drive performance out of both OZ9's and Glocks alike. You'll notice the coffin shaped window on top and the three windows per side, cuts weight and reduces recoil impulse. The deep serrations at both the front and rear of the slide create a more aggressive grip to insure a solid purchase during manipulations. The Hellbender slide provides durability and accuracy when it matters most.

Manufactured in our state-of-the-art manufacturing facility from a single billet of 17-4 stainless steel to tighter tolerances than factory slides for increased consistency in barrel lockup for improved accuracy and performance.

All ZEV slides have our patented optic cut that features threaded mounting posts machined into the slide. The increased surface area of these posts allows added engagement with the threads of the mounting screws while providing a more stable and secure optic mounting platform. With the deepest optic cut in the industry, the red dot sight sits low in the slide, allowing co-witness with standard height sights.

ZEV slides weigh less than factory slides, therefore reduce reciprocating weight, which reduces fatigue and allows for faster shot follow-up placement.

ZEV Stripped Slides features:

- Machined from 17-4 Stainless steel billet
- Lowered ejection port to aid in ejection of brass
- Match grade, precision milled tolerances that are tighter than factory
- Improved accuracy and grouping performance upon installation
- DLC or PVD coatings offered have a Rockwell hardness rating above that of factory coatings
- RMR cover plate included (not shown)

ZEV Slide Specifications:

Model	Width	Height	Length	Weight
G19	1.0"	.84"	6.75"	8.2 oz.
G17	1.0"	.84"	7.25"	9.3 oz.

MODEL	GEN	BLACK (DLC)	TITANIUM GRAY (GRY)
19	1-3	SLD-Z19-3G-HEL-RMR-B	SLD-Z19-3G-HEL-RMR-G
19	5	SLD-Z19-5G-HEL-RMR-B	SLD-Z19-5G-HEL-RMR-G
17	1-3	SLD-Z17-3G-HEL-RMR-B	SLD-Z17-3G-HEL-RMR-G
17	5	SLD-Z17-5G-HEL-RMR-B	SLD-Z17-5G-HEL-RMR-G



ZEV Duty Slide Kits come with all ZEV internals fully assembled and topped off with preinstalled ZEV tritium night sights. The black nitride finish of the Duty slide provides a durable coating. ZEV's patented RMR slide cut enables the use of red dot sights that have an RMR installation footprint.

The Duty slides feature the same workmanship and quality that ZEV is known for with a functionally driven design and utilitarian coating for the no-nonsense shooter who is looking to complete a new frame build or to enhance the functionality of their Glock.

ZEV Slide Kit features:

- Machined from 17-4 Stainless steel billet
- Lowered ejection port to aid in ejection of brass
- Match grade, precision milled tolerances that are tighter than factory
- Improved accuracy and grouping performance upon installation
- ZEV Full upper parts kit – installed
- ZEV Tritium Night Sight Set – installed
- Torx wrench and RMR screws included



NOTE: ZEV RMR Cover Plate not included. Sold separately.

ZEV Slide Specifications:

Model	Width	Height	Length	Weight
G19	1.0"	.84"	6.75"	12 oz.
G17	1.0"	.84"	7.25"	12 oz.

MODEL	GEN	BLACK
19	1-3	SLD.KIT-Z19-3G-DUTY-RMR-B
17	1-3	SLD.KIT-Z17-3G-DUTY-RMR-B



ZEV ENHANCED EXTRACTOR

The ZEV Enhanced Extractor features enhanced geometry to increase engagement on the case rim which improves reliability during operation of the pistol. The ZEV Enhanced Extractor is machined from billet alloy steel and DLC coated for durability.

- Compatible with ZEV OZ9 slides
- Compatible with Gen1-4 G19, G17, and G34 ZEV and OEM Glock slides.

SKU
EXTR-9



ZEV SKELETONIZED STRIKER

A reduced power striker spring contributes to a lighter trigger pull, but when used in conjunction with a standard Glock striker it can occasionally result in light primer strikes. ZEV's skeletonized striker is lighter than a standard Glock striker and features an extended firing pin to reduce the likelihood of light primer strikes without sacrificing the lighter trigger pull. Machined from alloy steel for strength, and hard chromed for durability and corrosion resistance ensure a smooth, clean trigger pull.

SKU
STK-SM



ZEV FIRING PIN SAFETY

The firing pin safety prevents the striker from being able to impact the primer of a chambered round without the trigger being pulled, which means that when you are ready to shoot your pistol the trigger needs to depress the firing pin safety first before it can be discharged. ZEV's firing pin safety includes a reduced power spring which contribute to a cleaner, lighter trigger pull. Machined from alloy steel for strength, and hard chromed for durability and corrosion resistance. Available in small size only. Compatible with most Glock models.

SKU
FPS-SS-SM



ZEV BACKPLATE

Update the aesthetics of your slide with this honeycomb textured backplate. Fits all standard sized GLOCK and ZEV slides. Constructed of anodized black aluminum.

SKU
BK.PLATE-AL



ZEV GUIDE ROD REDUCING RING – GEN-4, GEN-5

Retrofit your GLOCK Gen 4-5 to use a single guide-rod and spring assembly.

- Compatible with both OEM Glock slides and ZEV slides
- For use on Gen 4 and Gen 5 models

COLOR	SKU
SILVER	RDC-4G-SS
BLACK	RDC-4G-SS-DLC



ZEV STAINLESS STEEL GUIDE ROD

Our stainless steel replacement guide rod allows you to change spring weights to tune your pistol to a particular load. The guide rod is designed with a replaceable screw-head that can be changed, if necessary, to extend the life of the part. The guide rod can also be run captured or uncaptured.

- Recommended usage of either an ISMI recoil spring in a corresponding correct weight for your pistol. In most cases 11-17 lbs.
- NOT compatible with GLOCK factory guide rod springs
- Gen-4 compatible with the use of guide rod reducing ring



FRAME	SKU
COMPACT	G.ROD-CPT-SS
GEN 1-3	Fits models: G19, G19C, G23, G23C, G32, G32C, G38
GEN 4	Fits models: G19, G23, G32
GEN 5	Fits models: G19 with use of a reducing ring



FRAME	SKU
STANDARD	G.ROD-STD-SS
GEN 1-3	Fits models: G17, G17C, G17L, G22, G22C, G24, G24C, G31, G31C, G34, G35, G37
GEN 4	Fits models: G17, G22, G31, G34, G35, G37

ZEV FIRING PIN CHANNEL LINER FOR GLOCK SLIDES

Lessen the firing pin spring and spring cup wear and eliminate the need for lubricant.

- Compatible with all Glock slides except for G42, G43, G43x, and G48

SKU
CHANNEL-LINER-R

**ZEV STRIKER SLEEVE FOR GLOCK SLIDES**

An essential component in the Glock Safe Action System. When upgrading or repairing your Glock firing pin, replacement of the firing pin spacer ensures proper fit and function.

- Compatible with all Glock models

SKU
STRIKER-SLEEVE-R

**ZEV SPRING LOADED EXTRACTOR BEARING**

Ensures there is proper tension on the extractor depressor plunger spring so the extractor works properly

- Compatible with all 9mm Glock models

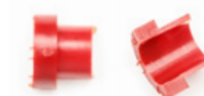
SKU
EXTR-BRNG-9-R

**ZEV STRIKER SPRING CUPS FOR GLOCK SLIDES**

Comes in a set of two, one for each side, that cup the striker and capture the striker spring.

- Compatible with all Glock models

SKU
SPRING-CUPS-R



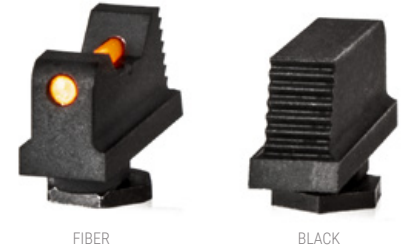
The single most important upgrade you can make to your GLOCK pistol is replacing your factory sights, ZEV Technologies sight sets are machined from quality steel and coated to protect the finish. Sights are available in different heights. Whether you are looking to increase accuracy or co-witness your red dot optics, ZEV has you covered.

ZEV FRONT SIGHTS

ZEV front sights are designed to be used with one of the many rear sights available for GLOCK factory replacement and are an excellent and cost-effective upgrade. Best suited for ZEV combat rear, the ZEV front sight gives you everything you need to upgrade your sight picture to shoot like the pros and comes in either Black or Fiber Optic.

- A clean serrated post for a glare free sight picture
- Improved accuracy due to ease of target transition and acquisition
- CNC-machined stainless steel construction
- Black DLC coated for hardness and resistance to wear

HEIGHT	MODEL	SKU
.215	FIBER	SIGHT.K-FR-215-FO
.215	BLACK	SIGHT.K-FR-215-B



FIBER

BLACK

ZEV COMBAT REAR SIGHT

An excellent and cost-effective upgrade to any GLOCK®. Best suited to work in tandem with one of our ZEV front sights, the ZEV Combat Rear Sight gives shooters everything they need to upgrade sight picture and to shoot like the pros.

- A clean serrated face for a glare free sight picture
- Notch width of .140 & Notch Dept of .145 will allow you enough room to keep your eyes on target during transitions
- CNC-machined stainless steel construction
- Black DLC coated for hardness and resistance to wear

SKU
SIGHT.K-RR-COM3-B



ZEV CO-WITNESS SIGHT SET

ZEV backup iron sights (BUIS) are designed to be used with one of the many mini red dot sights available on the market - such as Trijicon's RMR.

- Iron sight sets have the highest resolution and greatest ease of acquisition
- Notch width of .140 & Notch Dept of .145 will allow you enough room to keep your eyes on target during transitions

HEIGHT	SKU
.300	SIGHT.SET-300-CW-B-CW-B



ZEV RMR ADAPTER PLATE

The Zev Technologies Red Dot Sight Adapter Plate for the Trijicon RMR is machined from aluminum to match the specific red dot sight cut.

- Black anodized
- Easy to install
- Seats directly over the positioning posts machined into slide
- Allows for easy removal and replacement for any Trijicon RMR that is removed periodically for usage

SKU
ADAP-RMR-B



NOTE: Compatible with ZEV cut slide ONLY.

ZEV Combat Night Sights give shooters a durable high visibility iron sight option that works in all lighting conditions. Designed to be identical in form and function to our current fiber optic combat sight set but with the addition of tritium vials for low light illumination.

The front sight has a narrow bright orange ring surrounding the tritium dot for daytime use. The rear sight has two tritium dots, has an angled edge to aid in one handed operation of the slide, and does not overhang the RMR optic cut.

Due to the low mounting of an RMR with our patented optic cut, it still provides a lower 1/3 co-witness with an RMR mounted. Assembled in the USA with Swiss tritium for maximum brightness.

Offered in the following configurations

- ZEV Combat Night Sight Set
 .215 Tritium Front with Orange Ring
 Tritium Rear
- ZEV Combat Night Sight Set
 .215 Tritium Front with Orange Ring
 Standard Rear
- ZEV .215 Tritium Front Night Sight with Orange Ring
- ZEV Combat Rear Night Sight with Tritium

NOTE: 12 year warranty coverage and service life of the tritium

ZEV COMBAT NIGHT SIGHT SET
 • .215 Tritium Front with Orange Ring
 • Tritium Rear

SKU
 SIGHT.SET-215-NS-COM3-NS-B



ZEV COMBAT NIGHT SIGHT SET
 • .215 Tritium Front with Orange Ring
 • Standard Rear

SKU
 SIGHT.SET-215-NS-COM3-B



ZEV TRITIUM FRONT NIGHT SIGHT
 • .215 Tritium Front with Orange Ring

SKU
 SIGHT.K-FR-215-NS



ZEV TRITIUM COMBAT REAR NIGHT SIGHT
 • Tritium Rear

SKU
 SIGHT.K-RR-COM3-NS-B



ZEV Technologies Optimized Match Barrels have been redesigned for improved performance and Gen5 compatibility. Enhanced features include a recessed target crown, a new match chamber, and a stylized barrel hood with caliber and model engravings and a loaded chamber indicator.

ZEV's proprietary broach cut 1 in 14" left hand twist rifling was developed to create the most accurate Glock aftermarket barrel available, and testing confirms a significant increase in accuracy over factory barrels in all standard bullet weights.

Manufactured from 416R stainless steel which is an ideal material for making match grade barrels because the material allows for the precise cutting of chambers and rifling which results in a more accurate barrel.

Available in Black DLC and Bronze.

G19 and G17 models are available either 1/2x28 threaded or non-threaded.

G34 models are non-threaded only.

ZEV BARREL COMPATIBILITY

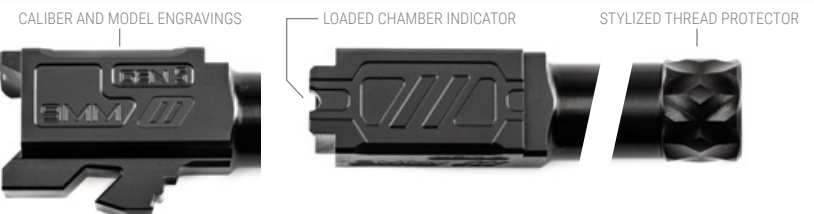
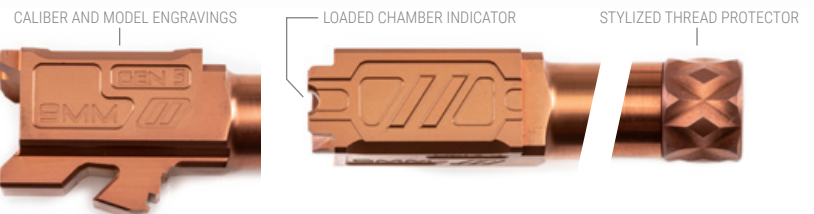
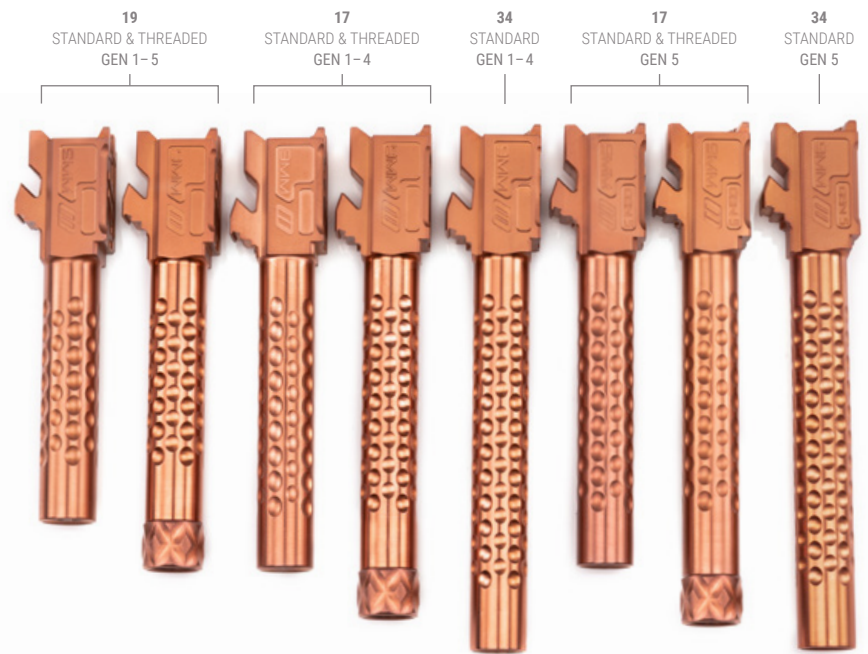
BARREL	GLOCK MODEL	GEN 1-4	GEN 5
19	G19, G19X, G45	✓	✓
17	G17	✓	-
17 G5	G17	-	✓
34	G34	✓	-
34 G5	G34	-	✓

STANDARD BARREL

MODEL	GEN	BRONZE	DLC
19	1-5	BBL-19-OPT-BRZ	BBL-19-OPT-DLC
17	1-4	BBL-17-OPT-BRZ	BBL-17-OPT-DLC
17	5	BBL-17-OPT-5G-BRZ	BBL-17-OPT-5G-DLC
34	1-4	BBL-34-OPT-BRZ	BBL-34-OPT-DLC
34	5	BBL-34-OPT-5G-BRZ	BBL-34-OPT-5G-DLC

THREADED BARREL

MODEL	GEN	BRONZE	DLC
19	1-5	BBL-19-OPT-TH-BRZ	BBL-19-OPT-TH-DLC
17	1-4	BBL-17-OPT-TH-BRZ	BBL-17-OPT-TH-DLC
17	5	BBL-17-OPT-5G-TH-BRZ	BBL-17-OPT-5G-TH-DLC



ZEV Technologies PRO Barrels offer a smooth exterior and a streamlined hood design that incorporates the ZEV logo slashes and caliber marking. The PRO barrel line features extremely tight tolerances and are manufactured with pre-hardened chromium stainless steel (416R) that was originally designed for use in Match Grade rifle barrels. This material provides high tensile strength and toughness to withstand typical chamber pressures while still being highly corrosion resistant.

ZEV PRO barrel bores are some of the most precise in the industry. Every barrel is double honed (rough and finish) until a minimum surface finish of 16 RA is reached. During this process the barrels are held to a final dimension of +/- 0.003" for consistency and accuracy.

The barrels are cut rifled and 100% inspected for groove dimensions and broach finish. Available standard and threaded with 1/2 x 28 suppressor threading.

NOTE: Model specific.

ZEV Barrel specs:

- 416R Rifle Barrel Quality Stainless Steel
- Match grade drop in barrel
- Final dimension of +/- 0.003" for consistency and accuracy
- SAAMI spec. Match chambers
- Rifled with a 1 in 10" twist rate

ZEV Barrel Compatibility:

Standard Barrel	Gen
G19	1-5
G17	1-4
Threaded Barrel	Gen
G19	1-5
G17	1-4

STANDARD BARREL

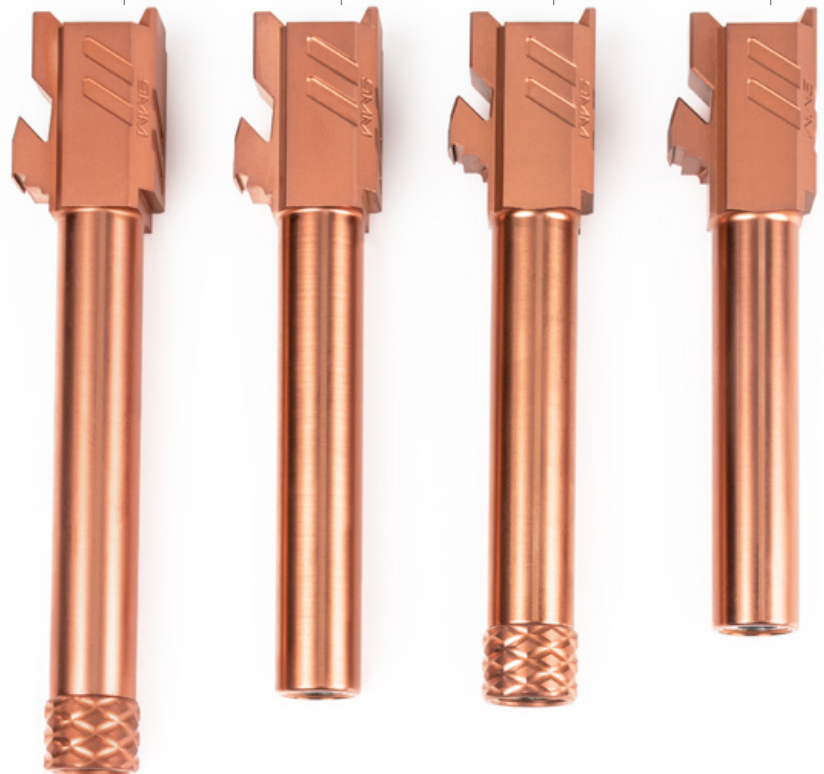
MODEL	GEN	BRONZE	DLC
19	1-5	BBL-19-PRO-BRZ	BBL-19-PRO-DLC
17	1-4	BBL-17-PRO-BRZ	BBL-17-PRO-DLC

THREADED BARREL

MODEL	GEN	BRONZE	DLC
19	1-5	BBL-19-PRO-TH-BRZ	BBL-19-PRO-TH-DLC
17	1-4	BBL-17-PRO-TH-BRZ	BBL-17-PRO-TH-DLC

G17 Shown Color: BRONZE
Model: Threaded & Standard

G19 Shown Color: BRONZE
Model: Threaded & Standard



G17 Shown Color: DLC
Model: Threaded & Standard

G19 Shown Color: DLC
Model: Threaded & Standard



The ZEV V2 PRO Compensator was designed to enhance the performance of your Glock pistol by reducing muzzle rise and felt recoil. The V2 improves upon the original PRO Compensator with contoured porting, an enlarged guide rod channel, and a new mounting system which permits secure installation and removal without the need for thread locking compound.

The ZEV V2 PRO Compensator was developed and optimized for use on the G19 but will fit and function on all 9mm Glock models with a corresponding threaded barrel. Due to its compact size, when installed on a G19 with ZEV threaded barrel, it has the same overall length as a G34 slide and is compatible with most G34 holsters.

The ZEV V2 PRO Compensator Gen5 version is designed to mesh with the contoured nose of Glock and ZEV Gen5 slides.

The V2 PRO Compensator will generally function with standard power 9mm ammunition and factory recoil assemblies but best performance will be obtained through matching the recoil spring weight to your particular pistol and ammunition.

ZEV V2 Compensator features:

- Contoured porting
- Enlarged guide rod channel
- Improved mounting system

V2 PRO COMPENSATOR

MODEL	THREAD PITCH	SKU
V2 PRO - STANDARD	1/2x28 Thread	COMP-PRO-V2-B
V2 PRO - STANDARD - LH	13.5x1 Left Hand Thread	COMP-PRO-V2-LH-B
V2 PRO - GEN5	1/2x28 Thread	COMP-PRO-V2-5G-B

V2 PRO Standard



V2 PRO Standard Model



V2 Pro Gen5 Model

V2 PRO Gen5



ZEV created the market for GLOCK trigger upgrades. Over the years, our triggers have won more world championships and are in the hands of more professionals than all other after-market triggers, combined.

We didn't stop there, beginning two years ago we set out to reinvent our entire product line. After thousands of hours of design and engineering and after hundreds of thousands of rounds of testing, we are proud to announce a product line built from the ground up to perform better and more reliably than anything else on the market.

At the core of our PRO Flat Face trigger is ZEV's new proprietary trigger bar and professional connector. These products deliver the crispest, cleanest trigger pull available. Finally, our new trigger pad features a revolutionary riveted assembly process that makes it the longest lasting and most reliable replacement trigger on the market.

- Drop-in installation
- Available for most GLOCK models
- Mil-Spec hard-anodized aluminum construction
- All ZEV triggers include our NEW PRO Connector

TRIGGER BAR

- Available with Red or Black Safety.
- Includes ZEV PRO Connector.



CALIBER	GEN	SAFETY COLOR	SKU
9mm/.40, .357/.45 GAP	1-4	BLACK	FFT-PRO-BAR-SM-B-B
	1-4	RED	FFT-PRO-BAR-SM-B-R
9mm	5	BLACK	FFT-PRO-BAR-5G-B-B
	5	RED	FFT-PRO-BAR-5G-B-R

DROP-IN TRIGGER KIT

Fully assembled ZEV Trigger Housing, PRO Connector and Trigger Bar. Comes with ZEV Firing Pin Safety & Spring, and PRO Striker Spring. Drop-in installation.

Includes:

- ZEV PRO Flat Faced Riveted Trigger and Trigger Bar
- ZEV Ejector Housing (Gen 1-4)EJECTOR-HOUSING-9-B
- ZEV PRO Connector.....CONN-PRO
- ZEV Trigger Spring.....SPR-TRG
- ZEV PRO Striker Spring.....SPR-STK-PRO
- ZEV Stainless Steel Firing Pin SafetyFPS-SS
- ZEV Firing Pin Safety Spring.....SPR-FPS



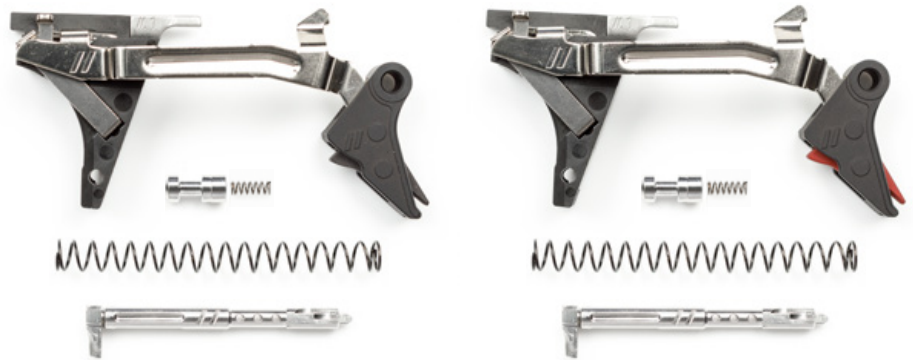
CALIBER	GEN	SAFETY COLOR	SKU
9mm	1-4	BLACK	FFT-PRO-DRP-9-B-B
	1-4	RED	FFT-PRO-DRP-9-B-R
Fits: G17, G17C, G17L, G19, G19C, G26, G34			

ULTIMATE TRIGGER KIT

Fully assembled ZEV Trigger Housing, PRO Connector and Trigger Bar. Comes with ZEV Firing Pin Safety & Spring, Skeletonized Striker and PRO Striker Spring. Drop-in installation.

Includes:

- ZEV PRO Flat Faced Riveted Trigger and Trigger Bar
- ZEV Ejector Housing (Gen 1-4)EJECTOR-HOUSING-9-B
- ZEV PRO Connector.....CONN-PRO
- ZEV Trigger Spring.....SPR-TRG
- ZEV PRO Striker Spring.....SPR-STK-PRO
- ZEV Stainless Steel Firing Pin SafetyFPS-SS
- ZEV Firing Pin Safety Spring.....SPR-FPS
- ZEV Stainless Steel Skeletonized Striker.....STK-SM



CALIBER	GEN	SAFETY COLOR	SKU
9mm	1-4	BLACK	FFT-PRO-ULT-9-B-B
	1-4	RED	FFT-PRO-ULT-9-B-R
Fits: G17, G17C, G17L, G19, G19C, G26, G34			

ZEV created the market for GLOCK trigger upgrades. Over the years, our triggers have won more world championships and are in the hands of more professionals than all other after-market triggers, combined.

We didn't stop there, beginning two years ago we set out to reinvent our entire product line. After thousands of hours of design and engineering and after hundreds of thousands of rounds of testing, we are proud to announce a product line built from the ground up to perform better and more reliably than anything else on the market.

At the core of our PRO Curved Face trigger is ZEV's new proprietary trigger bar and professional connector. These products deliver the crispest, cleanest trigger pull available. Finally, our new trigger pad features a revolutionary riveted assembly process that makes it the longest lasting and most reliable replacement trigger on the market.

- Drop-in installation
- Ergonomically correct trigger pad
- Available for most GLOCK models
- Mil-Spec hard-anodized aluminum construction
- All ZEV triggers include our NEW PRO connector

TRIGGER BAR

- Available with Red or Black Safety.
- Includes ZEV PRO Connector.



CALIBER	GEN	SAFETY COLOR	SKU
9mm/.40, .357/.45 GAP	1-4	BLACK	CFT-PRO-BAR-SM-B-B
	1-4	RED	CFT-PRO-BAR-SM-B-R
9mm	5	BLACK	CFT-PRO-BAR-5G-B-B
	5	RED	CFT-PRO-BAR-5G-B-R

DROP-IN TRIGGER KIT

Fully assembled ZEV Trigger Housing, PRO Connector and Trigger Bar. Comes with ZEV Firing Pin Safety & Spring, and PRO Striker Spring. Drop-in installation.

Includes:

- ZEV PRO Curved Faced Riveted Trigger and Trigger Bar
- ZEV Ejector Housing (Gen 1-4)EJECTOR-HOUSING-9-B
- ZEV PRO Connector.....CONN-PRO
- ZEV Trigger Spring.....SPR-TRG
- ZEV PRO Striker Spring.....SPR-STK-PRO
- ZEV Stainless Steel Firing Pin SafetyFPS-SS
- ZEV Firing Pin Safety Spring.....SPR-FPS



CALIBER	GEN	SAFETY COLOR	SKU
9mm	1-4	BLACK	CFT-PRO-DRP-9-B-B
	1-4	RED	CFT-PRO-DRP-9-B-R
Fits: G17, G17C, G17L, G19, G19C, G26, G34			

ULTIMATE TRIGGER KIT

Fully assembled ZEV Trigger Housing, PRO Connector and Trigger Bar. Comes with ZEV Firing Pin Safety & Spring, Skeletonized Striker and PRO Striker Spring. Drop-in installation.

Includes:

- ZEV PRO Curved Faced Riveted Trigger and Trigger Bar
- ZEV Ejector Housing (Gen 1-4)EJECTOR-HOUSING-9-B
- ZEV PRO Connector.....CONN-PRO
- ZEV Trigger Spring.....SPR-TRG
- ZEV PRO Striker Spring.....SPR-STK-PRO
- ZEV Stainless Steel Firing Pin SafetyFPS-SS
- ZEV Firing Pin Safety Spring.....SPR-FPS
- ZEV Stainless Steel Skeletonized Striker.....STK-SM



CALIBER	GEN	SAFETY COLOR	SKU
9mm	1-4	BLACK	CFT-PRO-ULT-9-B-B
	1-4	RED	CFT-PRO-ULT-9-B-R
Fits: G17, G17C, G17L, G19, G19C, G26, G34			

The ZEV Technologies Adjustable Fulcrum Drop-In Trigger Kit is the single most important upgrade a user can make to their Glock pistol. Our triggers feature a wider trigger pad and safety for better user engagement and will help build proper muscle memory for improved consistency and accuracy.

The trigger weight can be adjusted to as low as 3 lbs, while a noticeably crisp reset improves the ability to ride the reset for better follow up shot speed and placement.

Pre-travel and over-travel are adjustable to allow for a shorter pull, crisper break and faster reset. The ZEV Trigger Bar is the ONLY proprietary GLOCK replacement trigger bar that reduces travel, and provides professional, crisp trigger pull while keeping all factory Glock safeties intact.

TRIGGER BAR

- Available with Red or Black Safety.
- Includes ZEV PRO Connector.
- Two Adjustment Wrenches.



CALIBER	GEN	SAFETY COLOR	SKU
9mm / .40, .357 / .45 GAP	1-4	BLACK	FUL-ADJ-ULT-9-B-B
	1-4	RED	FUL-ADJ-ULT-9-B-R
9mm	5	BLACK	CFT-PRO-BAR-5G-B-B
	5	RED	CFT-PRO-BAR-5G-B-R

NOTE:

ZEV Technologies recommends this for competition use ONLY. The ZEV trigger bar is in our small frame trigger kits only (9mm/.40).

DROP-IN TRIGGER KIT

Fully assembled ZEV Trigger Housing, PRO Connector and Adjustable Trigger Bar. Comes with ZEV Firing Pin Safety & Spring, 2lb & 3lb Striker Springs, and Two Adjustment Wrenches. Drop-in installation.

Includes:

- ZEV Adjustable Fulcrum Trigger and Trigger Bar
- ZEV Ejector Housing (Gen 1-4)EJECTOR-HOUSING-9-B
- ZEV PRO ConnectorCONN-PRO
- ZEV Trigger Spring..... SPR-TRG
- ZEV Stainless Steel Firing Pin SafetyFPS-SS
- ZEV Firing Pin Safety Spring..... SPR-FPS
- ZEV 2lb Striker Spring..... SPR-STK-2LB
- ZEV 3lb Striker Spring..... SPR-STK-3LB



CALIBER	GEN	SAFETY COLOR	SKU
9mm	1-4	BLACK	FUL-ADJ-DRP-9-B-B
	1-4	RED	FUL-ADJ-DRP-9-B-R
Fits: G17, G17C, G17L, G19, G19C, G26, G34			

ULTIMATE TRIGGER KIT

Fully assembled ZEV Trigger Housing, PRO Connector and Adjustable Trigger Bar. Comes with ZEV Firing Pin Safety & Spring, Skeletonized Striker, 2lb & 3lb Striker Springs, and Two Adjustment Wrenches. Drop-in installation.

Includes:

- ZEV Adjustable Fulcrum Trigger and Trigger Bar
- ZEV Ejector Housing (Gen 1-4)EJECTOR-HOUSING-9-B
- ZEV PRO ConnectorCONN-PRO
- ZEV Trigger Spring..... SPR-TRG
- ZEV Stainless Steel Firing Pin SafetyFPS-SS
- ZEV Firing Pin Safety Spring..... SPR-FPS
- ZEV 2lb Striker Spring..... SPR-STK-2LB
- ZEV 3lb Striker Spring..... SPR-STK-3LB
- ZEV Stainless Steel Skeletonized Striker.....STK-SM



CALIBER	GEN	SAFETY COLOR	SKU
9mm	1-4	BLACK	FUL-ADJ-ULT-9-B-B
	1-4	RED	FUL-ADJ-ULT-9-B-R
Fits: G17, G17C, G17L, G19, G19C, G26, G34			

ZEV EJECTOR HOUSING

ZEV Technologies has updated the design of the ejector housing to be compatible with Glock Gen 1-4 models in 9mm. The ZEV Ejector Housing includes the newly designed ZEV ejector featuring a wider contact surface area for better ejection. It is now easier than ever to finish your trigger upgrade with 100% ZEV manufactured parts.

- Glock GEN 1-4 compatible, 9mm



SKU

EJECTOR-HOUSING-9-B

ZEV PRO CONNECTOR

Engineered to provide users with a consistent, positive reset and a reduction in trigger pull weight without sacrificing the reliability or safety of your pistol. Whether used in conjunction with a ZEV trigger or with your stock Glock trigger, the PRO connector will provide a noticeable increase in performance and is ready to drop-in and use straight from ZEV, no fitting or polishing required.

- The ZEV pro connector on average will deliver a 15% reduction in trigger pull weight from a stock Glock trigger
- **NOTE:** this item is not compatible with the Slimline Glock models (G42, G43, G43X, and G48)



SKU

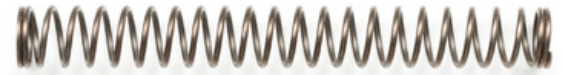
CONN-PRO

ZEV COMPETITION SPRING KIT

The ZEV Technologies Competition Spring Kit provides a lighter and smoother trigger pull by using a heavier trigger spring (to assist with trigger pull) in combination with our reduced power firing pin and firing pin safety springs. Use in conjunction with the ZEV PRO Connector for best performance.

Includes one each of the following:

- 2 lb Striker Spring
- Firing Pin Safety Spring
- Trigger Spring



SKU

SPR-KIT

The ZEV Technologies PRO Magwell was designed for the professional shooter that is looking to enhance the look and performance of their Glock. The one piece design facilitates easy installation and utilizes a single attachment screw to securely mount to the Glock frame while retaining a low profile. Designed to fit both Gen-1-4 and Gen-5 GLOCK frames

The ZEV PRO Magwell was designed and tested for compatibility with standard capacity factory magazines.

- One piece 6061 aluminum design
- Type III anodized finish
- Kit includes magwell body, mounting screw, and wrench..

NOTE:

- Back straps may need to be modified if used.
- 10 Round magazines WILL NOT work with this model of magwell. If 10 round capacity magazines are primarily used, this product is not recommended.



Shown: Gen5 PRO Model Installed

GEN 1 - 4 PRO MAGWELL

MODEL	SKU
STANDARD	MW.K-STD-PRO-AL-B
GEN 1-3	Fits: G17C, G17L, G22, G22C, G24, G24C, G31, G31C, G34, G35, G37
GEN 4	Fits: G17, G22, G31, G34, G35, G37
COMPACT	MW.K-CPT-PRO-AL-B
GEN 1-3	Fits: G19, G19C, G23, G23C, G32, G32C, G38
GEN 4	Fits: G19, G23, G32



GEN 5 PRO MAGWELL

MODEL	SKU
GEN 5	MW.K-CPT-PRO-5G

Fits: Gen5 G19 only. Not for use on G26, G19X, G17 & G34 models.



The ZEV Technologies PRO Plus Magwell was designed for the professional shooter that is looking to enhance the look and performance of their Glock. The one piece design facilitates easy installation and utilizes a single attachment screw to securely mount to the Glock frame while retaining a low profile. Designed to fit both Gen-1-4 and Gen-5 GLOCK frames

The ZEV PRO Plus Magwell was designed and tested for compatibility with standard capacity factory magazines as well as magazines fitted with ZEV basepad magazine extensions. It also incorporates a pass-through hole at the back for lanyard retention.

- One piece 6061 aluminum design
- Type III anodized finish
- Kit includes magwell body, mounting screw, and wrench..

NOTE:

- Back straps may need to be modified if used.
- 10 Round magazines WILL NOT work with this model of magwell. If 10 round capacity magazines are primarily used, this product is not recommended.



Shown: Gen5 PRO Plus Model Installed

GEN 1 - 4 PRO PLUS MAGWELL

MODEL	SKU
STANDARD	MW.K-STD-PRO-PLUS
GEN 1-3	Fits: G17C, G17L, G22, G22C, G24, G24C, G31, G31C, G34, G35, G37
GEN 4	Fits: G17, G22, G31, G34, G35, G37



GEN 5 PRO PLUS MAGWELL

MODEL	SKU
GEN 5	MW.K-STD-PRO-PLUS-5G
Fits: Gen5 G17 & G34 models.	



ZEV has a full catalog of internals to upgrade your frame. ZEV products increase the ease of use with our extended slide lock, a factory extended slide release and extended magazine release. We also have extra or spare frame pins which are a great addition to your range bag or tool kit. It never hurts to have an extras.

ZEV EXTENDED MAGAZINE RELEASE (GEN-3)

An all aluminum extended mag release upgrade from the plastic factory version. Features a textured oversized head, allowing shooters to access it without shifting grip.

- Aluminum mag release body and button are more durable than factory plastic mag release
- Mil-Spec hard-anodized, aircraft-grade billet aluminum
- Allen wrench included

SIZE	SKU
SMALL	MR-SM-3G-B
Fits models: G17, G19, G34, G22, G23, G35	



ZEV EXTENDED MAGAZINE RELEASE (GEN-4, GEN-5)

Designed with an aggressive rearward angle and a non-slip textured face that matches the factory finish of your Gen-4 and Gen-5 grip.

- Drop-in replacement part.

SIZE	SKU
SMALL	MR-SM-4G
Fits models: G17, G19, G34, G22, G23, G35	



ZEV TITANIUM PIN KIT

Precision-machined titanium pins are stronger and fit your GLOCK frame better than factory pins.

- Kit includes one each of the following: Trigger Pin, Locking Block Pin, Ejector housing pin
- Gen-4 kit comes with an additional Ejector housing pin, longer for usage of backstrap (shown),

MODEL	SKU
GEN 1-3	PIN-KIT-3G
GEN 4	PIN-KIT-4G





SIG PRODUCTS

The Octane slide was designed by founder Al Wolf and is the perfect storm of end user driven features. Aggressive slide serrations help with manipulations while the slide ports and cuts create a lighter slide allowing the pistol to shoot flatter and maintain sight picture more easily during follow up shots.

The Z320 Octane slide includes the following:

- ZEV Optic Cut allows mounting of red dot without removal of rear sight
- Trijicon RMR® compatible optic cut
- RMR optic cut cover plate included

Z320 XCOMPACT Octane Slide

MODEL	SKU
P320 XCOMPACT	SLD-Z320-XCOMPACT-OCTANE-RMR-DLC
P320 XCOMPACT	SLD-Z320-XCOMPACT-OCTANE-RMR-GRY

Z320 XCARRY Octane Slide

MODEL	SKU
P320 XCARRY	SLD-Z320-XCARRY-OCTANE-RMR-DLC
P320 XCARRY	SLD-Z320-XCARRY-OCTANE-RMR-GRY

Z320 XFULL Octane Slide

MODEL	SKU
P320 XFULL	SLD-Z320-XFULL-OCTANE-RMR-DLC
P320 XFULL	SLD-Z320-XFULL-OCTANE-RMR-GRY

Z320 XFIVE Octane Slide

MODEL	SKU
P320 XFIVE	SLD-Z320-XFIVE-OCTANE-RMR-DLC
P320 XFIVE	SLD-Z320-XFIVE-OCTANE-RMR-GRY

Z320 XCOMPACT

Specifications:

Width	Height	Length
1.0"	1.44"	6.25"



Z320 XCARRY

Specifications:

Width	Height	Length
1.0"	1.44"	6.5"



Z320 XFULL

Specifications:

Width	Height	Length
1.0"	1.44"	7.37"



Z320 XFIVE

Specifications:

Width	Height	Length
1.0"	1.44"	7.56"



Z365XL Octane Slide

- ZEV Optic Cut allows mounting of red dot without removal of rear sight
- Optic cut is compatible with the Shield RMSc, SIG Romeo Zero, and Holoson HS407K
- RMSC optic cut cover plate included

ZEV Slide Specifications:

Width	Height	Length
.90"	1.25"	6.25"

MODEL	SKU
P365XL	SLD-Z365XL-OCTANE-RMSC-DLC
P365XL	SLD-Z365XL-OCTANE-RMSC-GRY



Z365 Octane Slide

- ZEV Optic Cut allows mounting of red dot without removal of rear sight
- Optic cut is compatible with the Shield RMSc, SIG Romeo Zero, and Holoson HS407K
- RMSC optic cut cover plate included

ZEV Slide Specifications:

Width	Height	Length
.90"	1.25"	5.68"

MODEL	SKU
P365	SLD-Z365-OCTANE-RMSC-DLC
P365	SLD-Z365-OCTANE-RMSC-GRY



ZEV Technologies PRO Barrels offer a streamlined hood design that incorporates the ZEV logo slashes and caliber marking.

MODEL	LENGTH	SKU
P320 XFULL	4.7"	BBL-Z320-XFULL-PRO-DLC
P320 XCARRY	3.9"	BBL-Z320-XCARRY-PRO-DLC
P320 XCOMPACT	3.6"	BBL-Z320-XCOMPACT-PRO-DLC



Z320 XFULL PRO Barrel
• Barrel Length: 4.7"



Z320 XCARRY PRO Barrel
• Barrel Length: 3.9"



Z320 XCOMPACT PRO Barrel
• Barrel Length: 3.6"

ZEV Technologies PRO Barrels offer a streamlined hood design that incorporates the ZEV logo slashes and caliber marking.

MODEL	SKU
P365XL	BBL-Z365XL-PRO-DLC
P365	BBL-Z365-PRO-DLC



Z365XL PRO Barrel



Z365 PRO Barrel

ZEV COMBAT SIGHTS FOR SIG

ZEV Combat Sight set gives you everything you need to upgrade your sight picture to shoot like the pros.

- A clean serrated face for a glare free sight picture
- Improved accuracy due to ease of target transition and acquisition
- Notch width of .140 & Notch Dept of .145 will allow you enough room to keep your eyes on target during transitions
- CNC-machined carbon steel construction
- Black nitride coated for hardness and resistance to wear



SKU
SIGHT.SET-SIG-COM-FO

ZEV Z320 RMR COVER PLATE

RMR Cover Plate for Zev Z320 Slides with the Trijicon RMR footprint is machined from aluminum to match the specific red dot sight cut.

- Black anodized
- Easy to install
- Seats directly over the positioning posts machined into slide
- Allows for easy removal and replacement for any Trijicon RMR that is removed periodically for usage

NOTE: Compatible with ZEV cut slide ONLY.



SKU
ADAP-RMR-320

ZEV Z365 RMSC COVER PLATE

RMSC Cover Plate for Zev Z365 Slides for the Shield RMSC footprint is machined from aluminum to match the specific red dot sight cut.

- Black anodized
- Easy to install
- Seats directly over the positioning posts machined into slide
- Allows for easy removal and replacement for any RMSC that is removed periodically for usage

NOTE: Compatible with ZEV cut slide ONLY.



SKU
ADAP-RMSC-365

EXTENDED MAGAZINE RELEASE FOR THE SIG P365

The ZEV extended magazine release enables shooters to easily depress it and drop a magazine from their firearm without shifting their firing grip.

- Compatible with both P365 and P365XL grips
- Does not include spring or stopper. Reuse factory parts to install

NOTE: Follow instructions located in SIG P365 Owners Manual for Magazine Catch removal and installation.

MODEL	SKU
SIG P365	MR-Z365

SIG P365



EXTENDED MAGAZINE RELEASE FOR THE SIG P320

The ZEV extended magazine release enables shooters to easily depress it and drop a magazine from their firearm without shifting their firing grip.

- Compatible with all X Series grips, M17/M18 grips, and Gen1 P320 grips
- Does not include spring or stopper. Reuse factory parts to install

NOTE: Follow instructions located in SIG P320 Owners Manual for Magazine Catch removal and installation.

MODEL	SKU
SIG P320	MR-Z320

SIG P320





RIFLE PRODUCTS

ZEV CORE ELITE Rifles are intended for serious shooters and represent the commitment to design, feel, performance that ZEV is known for.

Featuring the high quality and aesthetics of ZEV rifle products with a combination of traditional mil-spec controls and functional upgrades that deliver excellent performance in the field or on the range.

CORE ELITE AR15 RIFLE

Features:

- ZEV forged upper and lower receivers precision machined from 7075-T6 aluminum for strength and light weight, finished in true black type III class 2 hard coat anodize.
- ZEV Wedge Lock hand guard provides a full length continuous top rail with M-LOK mounting system. The integrated anti-rotation pin ensures a consistently aligned and continuous top rail with the upper receiver.
- 16" ZEV custom 416R fluted match barrel with bronze PVD coating, chambered in 5.56 NATO. Capable of consistent sub-MOA accuracy with high quality factory ammunition.
- ZEV Muzzle Device.
- Low profile fixed gas block.
- H3 carbine buffer increases dwell time and reduces port pressure to ensure reliable extraction and a smooth recoil impulse.
- Mil-spec chrome lined BCG with a manganese phosphate finish for improved lubricity and corrosion resistance.
- Flat face AR Gold trigger from ATC features a 2.5lb pull with a short reset and clean break that is second to none.
- Radian Weapons Talon ambidextrous safety selector.
- Radian Raptor LT charging handle permits ambidextrous manipulation with an extended and textured latch for superior grip and ergonomics.
- Completed with Magpul furniture and one PMAG® 30 AR/M4 magazine.

CORE ELITE LARGE FRAME RIFLES

Features:

- ZEV Billet Upper and Lower receivers are precision-machined from 7075-T6 aluminum for strength and light weight, complete with an integral trigger guard, flared magwell, and finished in true black type III class 2 hard coat anodize.
- ZEV Wedge Lock hand guard provides a full length continuous top rail with M-LOK mounting system for maximum user customization and control, integrated anti-rotation pin ensures a consistent and continuous top-rail with the upper receiver.
- Radian Raptor LT charging handle permits ambidextrous manipulation with an extended and textured latch for superior grip and ergonomics.
- 16" ZEV match grade 416R stainless steel barrel with bronze PVD coating, chambered in .308 Winchester. Capable of consistent sub-MOA accuracy with high quality factory ammunition.
- 20" Proof Research match grade 416R stainless steel barrel with bronze PVD coating, chambered in 6.5 Creedmoor. Capable of consistent sub-MOA accuracy with high quality factory ammunition.
- ZEV Muzzle Device.
- Flat face AR Gold trigger from ATC features a 2.5lb pull with a short reset and clean break that is second to none.
- Ambidextrous operating controls for the safety selector, bolt release, and magazine release.
- Adjustable gas block.
- H3 carbine buffer increases dwell time and reduces port-pressure to ensure reliable extraction and a smooth recoil impulse.
- Mil-spec buffer tube provides six buttstock adjustment positions for user customization and comfort.
- Mil-spec castle nut and Magpul ASAP QD endplate with integral ambidextrous QD sling attachment point.
- Completed with Magpul furniture and one PMAG® 20 LR/SR magazine.



16" AR15 RIFLE

Caliber 5.56 NATO
 Weight 6.5 lbs unloaded
 Length 34" overall
 (with stock collapsed.)
 Barrel Length . . 16"
 Barrel Twist . . . 1 : 7
 Gas System . . . Mid Length

SKU
 AR15-CE-556-16-B

20" LF RIFLE, 6.5 CREEDMOOR

Caliber 6.5 Creedmoor
 Weight 9.5 lbs unloaded
 Length 39" overall
 (with stock collapsed.)
 Barrel Length . . 20"
 Barrel Twist . . . 1 : 8
 – Proof Research Barrel
 Gas System . . . Rifle+2 Length

SKU
 LF-CE-6.5-20-B

16" LF RIFLE, .308 WINCHESTER

Caliber308 Winchester
 Weight 8.5 lbs unloaded
 Length 35" overall
 (with stock collapsed.)
 Barrel Length . . 16"
 Barrel Twist . . . 1 : 10
 Gas System . . . Mid Length

SKU
 LF-CE-308-16-B

ZEV CORE ELITE Rifles are intended for serious shooters and represent the commitment to design, feel, performance that ZEV is known for.

Featuring the high quality and aesthetics of ZEV rifle products with a combination of traditional mil-spec controls and functional upgrades that deliver excellent performance in the field or on the range.

The CORE ELITE Upper Receiver Group can be installed on any standard AR15 lower receiver to either complete a build or upgrade an existing rifle.

Features:

- ZEV forged upper receiver precision machined from 7075-T6 aluminum for strength and light weight, finished in true black type III class 2 hard coat anodize.
- ZEV Wedge Lock hand guard provides a full length continuous top rail with M-LOK mounting system. The integrated anti-rotation pin ensures a consistently aligned and continuous top rail with the upper receiver.
- ZEV 16" custom 416R match barrel with bronze PVD coating, chambered in .223 Wylde. Capable of consistent sub-MOA accuracy with high quality factory ammunition.
- ZEV 10.5" durable 416R barrel with bronze PVD coating, chambered in .223 Wylde.
- ZEV 8.5" durable 416R barrel with bronze PVD coating, chambered in .300 Blackout.
- ZEV Muzzle Device.
- Low profile fixed gas block.
- Mil-spec chrome lined BCG with a manganese phosphate finish for improved lubricity and corrosion resistance.
- Radian Raptor LT charging handle permits ambidextrous manipulation with an extended and textured latch for superior grip and ergonomics.



16" UPPER RECEIVER GROUP

Caliber223 Wylde
 Weight 4.28 lbs
 Length 24.5" overall
 Barrel Length . . 16"
 Barrel Twist . . . 1 : 7
 Gas System . . . Mid Length

SKU
 AR15-CE-556-16-UPPER

10.5" UPPER RECEIVER GROUP

Caliber223 Wylde
 Weight 3.68 lbs
 Length 19" overall
 Barrel Length . . 10.5"
 Barrel Twist . . . 1 : 7
 Gas System . . . Carbine Length

SKU
 AR15-CE-556-10.5-UPPER

8.5" UPPER RECEIVER GROUP

Caliber300 Blackout
 Weight 3.48 lbs
 Length 17" overall
 Barrel Length . . 8.5"
 Barrel Twist . . . 1 : 7
 Gas System . . . Pistol Length

SKU
 AR15-CE-300-8.5-UPPER

ZEV CORE COMBAT line of rifles expand on the high quality and aesthetics of ZEV rifle products with a combination of traditional mil-spec controls and functional upgrades that deliver excellent performance in the field or on the range.

CORE COMBAT AR15 RIFLE

Features:

- ZEV forged upper and lower receivers precision machined from 7075-T6 aluminum for strength and light weight.
- ZEV Wedge Lock hand guard provides a full length continuous top rail with M-LOK mounting system. The integrated anti-rotation pin ensures a consistently aligned and continuous top rail with the upper receiver.
- Rugged Cerakote Elite series coating in FDE over type III class 2 hard coat anodize.
- ZEV durable 4150CMV barrel chambered in .223 Wylde.
- Tuned gas and buffer systems to prioritize reliability above all else.
- ZEV Muzzle Device.
- Low profile fixed gas block.
- H3 carbine buffer increases dwell time and reduces port pressure to ensure reliable extraction and a smooth recoil impulse.
- Mil-spec chrome lined BCG with a manganese phosphate finish for improved lubricity and corrosion resistance.
- Duty weight 2-stage trigger.
- Radian Weapons Talon ambidextrous safety selector.
- 7075-T6 ambidextrous charging handle to increase service life of mil-spec forged receivers
- Completed with Magpul furniture and one PMAG® 30 AR/M4 magazine.

CORE COMBAT LARGE FRAME RIFLES

Features:

- ZEV Billet Upper and Lower receivers are precision-machined from 7075-T6 aluminum for strength and light weight, complete with an integral trigger guard, flared magwell.
- Rugged Cerakote Elite series coating in FDE over type III class 2 hard coat anodize.
- ZEV MML free floating handguard design provides seamless support of tool-less adjustable gas block while maintaining a generous top rail and full-length M-LOK support.
- ZEV durable 416R stainless barrel chambered in 6.5 Creedmoor or .308 Winchester.
- Noveske Switch-Block tool-less 3-position adjustable gas block to ensure functionality in any configuration or condition.
- ZEV Muzzle Device.
- H3 carbine buffer increases dwell time and reduces port pressure to ensure reliable extraction and a smooth recoil impulse.
- Mil-spec chrome lined BCG with a manganese phosphate finish for improved lubricity and corrosion resistance.
- Duty weight 2-stage trigger.
- Radian Weapons Talon ambidextrous safety selector.
- 7075-T6 ambidextrous charging handle to increase service life of mil-spec forged upper receivers.
- Completed with Magpul furniture and one PMAG® 20 AR/M4 magazine.



16" AR15 RIFLE

Caliber223 Wylde
 Weight 6.5 lbs unloaded
 Length 34" overall
 (with stock collapsed.)
 Barrel Length . . 16"
 Barrel Twist . . . 1 : 8
 Gas System . . . Mid Length

SKU
 AR15-CC-556-16-FDE

18" LF RIFLE, 6.5 CREEDMOOR

Caliber 6.5 Creedmoor
 Weight 9.1 lbs unloaded
 Length 37" overall
 (with stock collapsed.)
 Barrel Length . . 18"
 Barrel Twist . . . 1 : 8
 Gas System . . . Rifle Length

SKU
 LF-CC-6.5-18-FDE

16" LF RIFLE, .308 WINCHESTER

Caliber308 Winchester
 Weight 8.5 lbs unloaded
 Length 35" overall
 (with stock collapsed.)
 Barrel Length . . 16"
 Barrel Twist . . . 1 : 10
 Gas System . . . Mid Length

SKU
 LF-CC-308-16-FDE

The ZEV Technologies Billet Receiver Sets are designed to complement the enhanced features of the ZEV rifle product line. All receivers are precision-machined from solid billet aluminum and held to extremely tight tolerances and high quality standards to ensure consistent fit and function. With its ambidextrous features, light weight, and superior finish, the ZEV Billet Receiver Set is the perfect foundation for any rifle build.

ZEV Billet Receiver Set features:

- Machined from American-made 7075-T651 billet aluminum
- True black Type III Class 2 hard coat anodize
- Integrated and enlarged trigger guard
- Generous flare-cut magazine well to facilitate quick magazine insertion
- Ambidextrous bolt release
- Ambidextrous magazine release
- Threaded bolt catch for ease of assembly and disassembly compared to traditional roll pins
- Enhanced charging handle latch locking point prevents wear to the upper receiver
- Compatible for use with the unique ZEV Slide Lock ambidextrous charging handle (sold separately)
- Compatible with the ZEV Wedge Lock hand guard integral anti-rotation pin for consistent alignment of the top rail (sold separately)
- All proprietary components are included

AR15



- Compatible with most mil-spec accessories to give you the most options for completing your build.
- M4 feed ramps cut standard.

MODEL	WEIGHT	SKU
AR15 BILLET	17.3 oz.	REC.SET-556-BIL

LARGE FRAME



- Compatible with SR25/DPMS accessories to give you the most options for completing your build.
- Ejection port cover comes pre-installed.

MODEL	WEIGHT	SKU
LARGE FRAME BILLET	21.3 oz.	REC.SET-308-BIL

FORGED UPPER

The ZEV Technologies Forged AR-15 Upper Receiver comes stripped and ready for your next custom AR build. ZEV starts with high-quality 7075 T6 aluminum forgings and final machines them to better than mil-spec dimensions held to $\pm .001"$ tolerances, giving you maximum compatibility with mil-spec and aftermarket parts and accessories.

The ZEV Technologies Forged AR-15 Upper Receiver offers superb strength and versatility for building an AR-15 configured exactly the way you want it.

ZEV Forged Upper Receiver features:

- Machined from Forged American Made 7075-T651 aluminum
- Machined with BETTER than Mil-Spec requirements, with critical tooling dimensions held within $\pm .001"$
- True Black Class 2 Type 3 Hard coat anodize
- Compatible with all Mil-Spec parts kits
- M4 feed ramps cut standard



MODEL	WEIGHT	SKU
AR15 FORGED UPPER	7.2 oz.	UR-556-FOR

FORGED LOWER

The ZEV Technologies Forged AR-15 Lower Receiver comes stripped and ready for your next custom AR build. ZEV starts with high-quality 7075 T6 aluminum forgings and final machines them to better than mil-spec dimensions held to $\pm .001"$ tolerances, giving you maximum compatibility with mil-spec and aftermarket parts and accessories.

The ZEV Technologies Forged AR-15 Lower Receiver offers superb strength and versatility for building an AR-15 configured exactly the way you want it.

ZEV Forged Lower Receiver features:

- Machined from Forged American Made 7075-T651 aluminum
- Machined with BETTER than Mil-Spec requirements, with critical tooling dimensions held within $\pm .001"$
- True Black Class 2 Type 3 Hard coat anodize
- Features the original "GATOR GRIP" texture on the front of the mag strap for added grip
- Generous flare cut to the magazine well for quick magazine changes
- Nylon tipped tension screw for adjusting fitment to various uppers



MODEL	WEIGHT	SKU
AR15 FORGED LOWER	7.2 oz.	LR-556-FOR

The most technologically advanced hand guard on the market today. The ZEV Technologies Wedge Lock Hand Guard attaches to the receiver via an innovative system built around a two-piece Wedge Lock system that tightens down securely with only one screw.

Machined from aircraft grade aluminum to keep the wall thickness thin, but still strong enough for any environment.

The narrow cross-section of the hand guard provides for an excellent ergonomic grip while the M-LOK negative space mounting system provides a smooth, hand-friendly surface in place of Picatinny rails.

ZEV Wedge Lock hand guard features:

- Black type III hard anodized aluminum hand guard
- Black Nitride coated wedge system
- One piece free float design with continuous top rail
- Compatible with all mil-spec upper receivers
- Compatible with low profile gas bocks
- Integral anti-rotation pin compatible with ZEV billet upper ensures consistent alignment of the top rail
- M-LOK compatible accessory mounting points for user customization
- Internal diameter of 1.225"

NOTE: The ZEV Wedge Lock is not designed for a suppressor to be mounted under the hand guard.

US PATENT 9,335,117

Includes:

- Wedge System
- Stainless Steel Barrel Nut
- Assembly Tools



LENGTH	SKU
7"	HG-556-WEDGE-7



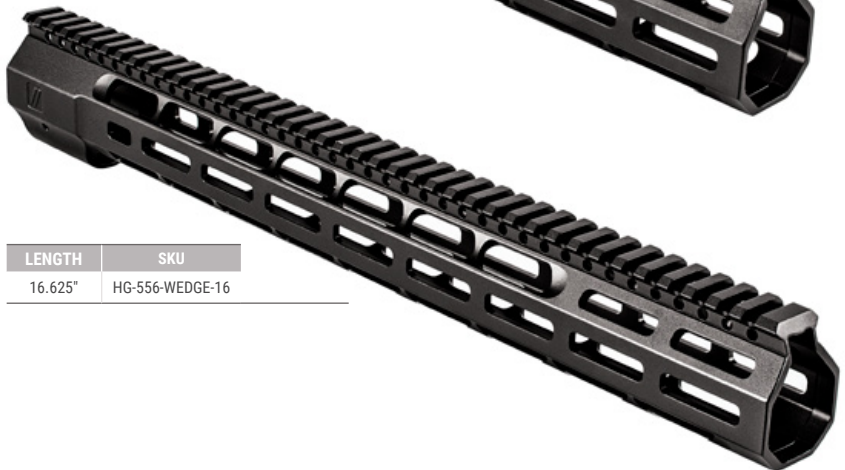
LENGTH	SKU
9.25"	HG-556-WEDGE-9



LENGTH	SKU
12.625"	HG-556-WEDGE-12



LENGTH	SKU
14.625"	HG-556-WEDGE-14



LENGTH	SKU
16.625"	HG-556-WEDGE-16

The most technologically advanced hand guard on the market today. The ZEV Technologies Wedge Lock Hand Guard attaches to the receiver via an innovative system built around a lightweight Titanium barrel nut (included) and the two-piece Wedge Lock system that tightens down securely with only one screw.

Machined from aircraft grade aluminum to keep the wall thickness thin, but still strong enough for any environment.

The narrow cross-section of the hand guard provides for an excellent ergonomic grip while the M-LOK negative space mounting system provides a smooth, hand-friendly surface in place of Picatinny rails.

ZEV Wedge Lock hand guard features:

- Black type III hard anodized aluminum hand guard
- Black Nitride coated wedge system
- One piece free float design with continuous top rail
- Compatible with KAC/DPMS high profile upper receivers
- Compatible with low profile gas bocks
- Integral anti-rotation pin compatible with ZEV billet upper ensures consistent alignment of the top rail
- Titanium barrel nut reduces weight and aids in heat dissipation
- M-LOK compatible accessory mounting points for user customization
- Internal diameter of 1.325"

US PATENT 9,335,117

Includes:

- Wedge System
- Titanium Barrel Nut
- Assembly Tools



LENGTH	SKU
12.625"	HG-308-WEDGE-12



LENGTH	SKU
14.625"	HG-308-WEDGE-14



LENGTH	SKU
16.625"	HG-308-WEDGE-16

The ZEV Technologies Slide Lock Charging Handle is a unique design that features smooth ambidextrous operation with fewer moving parts than any other charging handle on the market. Machined from a single piece of 7075-T6 billet aluminum for strength and durability.

Features:

- Fully ambidextrous
- Extended and textured handle for superior grip and ergonomics
- Machined from American-made 7075-T6 billet aluminum
- True black Type III Class 2 hard coat anodize
- Black nitride steel capture latch

NOTE:

Designed exclusively for use with ZEV billet upper receivers, not recommended for use with forged upper receivers.

MODEL	WEIGHT	SKU
AR-15 CHARGING HANDLE	1.3 oz.	CH-556-AMB
LARGE FRAME CHARGING HANDLE	1.4 oz.	CH-308-AMB



Does not require a latch to be pulled to release charging handle.



The ZEV Muzzle Device was designed to provide the dual benefit of flash suppression and muzzle rise reduction. The shoulder of the muzzle device extends over the barrel to cover the included crush washer and provide a uniform appearance. Wrench flats are incorporated for ease of installation.

The ZEV Muzzle Device is only compatible with barrels that have a .750 or smaller gas block journal, due to the fact that the body of the muzzle device extends over the shoulder of the barrel.

- Provides flash suppression and muzzle rise reduction
- Crush Washer included



5.56 model shown installed

5.56

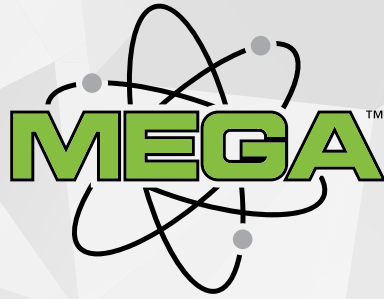


CALIBER	THREAD PITCH	SKU
5.56	1/2x28 Thread	ZMD-556

7.62



CALIBER	THREAD PITCH	SKU
5.56	1/2x28 Thread	ZMD-556



MEGA RIFLE PRODUCTS

ZEV// MEGA BILLET GTR-3H UPPER RECEIVER

AR15



The MEGA GTR-3H Billet Upper Receiver comes stripped and ready for your next custom AR build. ZEV starts with high-quality 7075 T6 aluminum billet and machines them to exceed mil-spec dimensions and are held within $\pm .001''$ tolerances, giving you maximum compatibility with mil-spec and aftermarket parts and accessories.

The MEGA GTR-3H Billet Upper Receiver offers superb strength and versatility for building an AR-15 configured exactly the way you want it.

MEGA Billet Upper Receiver features:

- Machined from American Made 7075-T651 billet aluminum
- Machined to exceed Mil-Spec requirements, with critical tooling dimensions held within $\pm .001''$
- True Black Class 2 Type 3 hard coat anodize
- Compatible with all Mil-Spec parts kits
- Enhanced charging handle latch locking point prevents wear to the upper receiver
- M4 feed ramps cut standard

MODEL	WEIGHT	SKU
MEGA AR15 GTR-3H BILLET UPPER	9.3 oz.	MEGA-AR15-UPPER-BIL-GTR-3H





The MEGA GTR-3H Ambidextrous Billet Lower Receiver comes stripped and ready for your next custom AR build. ZEV starts with high-quality 7075 T6 billet aluminum and machines them to exceed mil-spec dimensions held to ±.001" tolerances, giving you maximum compatibility with mil-spec and aftermarket parts and accessories.

The MEGA GTR-3H Ambidextrous Billet Lower Receiver offers superb strength and versatility for building an AR-15 configured exactly the way you want it.

MEGA Billet Lower Receiver features:

- Machined from American Made 7075-T651 billet aluminum
- Ambidextrous bolt release
- Machined to exceed Mil-Spec requirements, with critical tooling dimensions held within +/- .001"
- True Black Class 2 Type 3 hard coat anodize
- Generous flare cut to the magazine well for quick magazine changes
- Nylon tipped tension screw for adjusting fitment to various uppers

MODEL	WEIGHT	SKU
MEGA AR15 GTR-3H BILLET LOWER	9.2 oz.	MEGA-AR15-LOWER-BIL-GTR-3H





Designed to aesthetically match MEGA forged upper receivers, the MEGA GTR-3S Ambidextrous Billet Lower Receiver comes stripped and ready for your next custom AR build. ZEV starts with high-quality 7075 T6 billet aluminum and machines them to exceed mil-spec dimensions held to $\pm .001$ " tolerances, giving you maximum compatibility with mil-spec and aftermarket parts and accessories.

The MEGA GTR-3S Ambidextrous Billet Lower Receiver offers superb strength and versatility for building an AR-15 configured exactly the way you want it.

MEGA Billet Lower Receiver features:

- Machined from American Made 7075-T651 billet aluminum
- Ambidextrous bolt release
- Machined to exceed Mil-Spec requirements, with critical tooling dimensions held within +/- .001"
- True Black Class 2 Type 3 hard coat anodize
- Generous flare cut to the magazine well for quick magazine changes
- Nylon tipped tension screw for adjusting fitment to various uppers
- "S" Model Billet Loweres are designed to aesthetically match better with forged uppers

MODEL	WEIGHT	SKU
MEGA AR15 GTR-3S BILLET LOWER	9.2 oz.	MEGA-AR15-LOWER-BIL-GTR-3S





The MEGA GTR-3H Ambidextrous Billet Receiver Set was designed to complement the enhanced features of the MEGA rifle product line while retaining compatibility with most mil-spec accessories to give you the most options for completing your build.

All receivers are precision-machined from solid billet aluminum and are held to extremely tight tolerances and high quality standards to ensure consistent fit and function. With its ambidextrous features, light weight, and superior finish, the MEGA Billet Receiver Set is the perfect foundation for any rifle build.

MEGA Billet Receiver Set features:

- Machined from American-made 7075-T651 billet aluminum
- True black Type III Class 2 hard coat anodize
- M4 feed ramps cut standard
- Integrated and enlarged trigger guard
- Generous flare-cut magazine well to facilitate quick magazine insertion
- Ambidextrous bolt release
- Enhanced charging handle latch locking point prevents wear to the upper receiver
- Threaded bolt catch for ease of assembly and disassembly compared to traditional roll pins
- Compatible with the Wedge Lock hand guard integral anti-rotation pin for consistent alignment of the top rail (sold separately)
- All proprietary components are included

MODEL	WEIGHT	SKU
MEGA AR15 BILLET SET	18.4 oz.	MEGA-AR15-SET-BIL





The MEGA Forged Lower Receiver comes stripped and ready for your next custom AR build. ZEV starts with high-quality 7075 T6 aluminum forgings and machines them to exceed mil-spec dimensions held to $\pm .001"$ tolerances, giving you maximum compatibility with mil-spec and aftermarket parts and accessories.

The MEGA Forged Lower Receiver offers superb strength and versatility for building an AR-15 configured exactly the way you want it.

MEGA Forged Lower Receiver features:

- Machined from American Made 7075-T651 forged aluminum
- Machined to exceed Mil-Spec requirements, with critical tooling dimensions held within $\pm .001"$
- True Black Class 2 Type 3 Hard coat anodize
- Features the original "GATOR GRIP" texture on the front of the mag strap for added grip
- Generous flare cut to the magazine well for quick magazine changes
- Nylon tipped tension screw for adjusting fitment to various uppers

MODEL	WEIGHT	SKU
MEGA AR15 FORGED LOWER	8.1 oz.	MEGA-AR15-LOWER-FOR



ZEV// MEGA FORGED UPPER RECEIVER

AR15



The MEGA Forged Upper Receiver comes stripped and ready for your next custom AR build. ZEV starts with high-quality 7075 T6 aluminum forgings and machines them to exceed mil-spec dimensions held to $\pm .001"$ tolerances, giving you maximum compatibility with mil-spec and aftermarket parts and accessories.

The MEGA Forged Upper Receiver offers superb strength and versatility for building an AR-15 configured exactly the way you want it.

MEGA Forged Upper Receiver features:

- Machined from American Made 7075-T651 forged aluminum
- Machined to exceed Mil-Spec requirements, with critical tooling dimensions held within $\pm .001"$
- True Black Class 2 Type 3 Hard coat anodize
- Compatible with all Mil-Spec parts kits
- M4 feed ramps cut standard

MODEL	WEIGHT	SKU
MEGA AR15 FORGED UPPER	7.0 oz.	MEGA-AR15-UPPER-FOR





The MEGA AR15 MML Billet Upper Receiver with either a 12", 14", or 16" M-LOK Handguard comes stripped and ready for your next custom AR build. ZEV starts with high-quality 7075 T6 billet aluminum and machines them to exceed mil-spec dimensions held to $\pm .001"$ tolerances, giving you maximum compatibility with mil-spec and aftermarket parts and accessories.

The MEGA AR15 MML Billet Upper Receiver and Handguard offers superb strength and versatility for building an AR-15 configured exactly the way you want it.

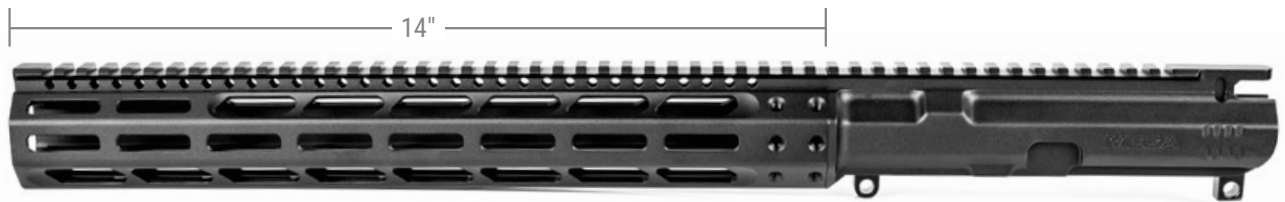
The narrow cross-section of the hand guard provides for an excellent ergonomic grip while the M-LOK negative space mounting system provides a smooth, hand-friendly surface in place of Picatinny rails..

MEGA AR15 MML Billet Upper Receiver and Handguard features:

- Machined from American Made 7075-T651 billet aluminum
- Machined to exceed Mil-Spec requirements, with critical tooling dimensions held within +/- .001"
- True Black Class 2 Type 3 Hard coat anodize
- Compatible with all Mil-Spec parts kits
- M4 feed ramps cut standard
- Black type III hard anodized aluminum hand guard
- One piece free float design with continuous top rail
- M-LOK compatible accessory mounting points for user customization
- Internal diameter of 1.5"



MODEL	SKU
MEGA AR15 MML BILLET UPPER; 12" HANDGUARD	MEGA-AR15-UPPER-MML-12
MEGA AR15 MML BILLET UPPER; 14" HANDGUARD	MEGA-AR15-UPPER-MML-14
MEGA AR15 MML BILLET UPPER; 16" HANDGUARD	MEGA-AR15-UPPER-MML-16



ZEV// MEGA BILLET UPPER RECEIVER

MATEN



The MEGA MATEN Billet Upper Receiver was designed to complement the enhanced features of the MEGA MATEN rifle product line while retaining compatibility with SR25/DPMS pattern accessories to give you the most options for completing your build.

All receivers are precision-machined from solid billet aluminum and are held to extremely tight tolerances and high quality standards to ensure consistent fit and function. With its light weight, and superior finish, the MEGA MATEN Billet Upper Receiver is the perfect foundation for any rifle build.

MEGA MATEN Billet Upper Receiver features:

- Machined from American-made 7075-T651 billet aluminum
- True black Type III Class 2 hard coat anodize
- Enhanced charging handle latch locking point prevents wear to the upper receiver
- Ejection port cover comes pre-installed
- All proprietary components are included

MODEL	WEIGHT	SKU
MEGA MATEN BILLET UPPER	14.1 oz.	MEGA-MATEN-UPPER-BIL



ZEV// MEGA BILLET AMBI LOWER RECEIVER

MATEN



The MEGA MATEN Billet Lower Receiver was designed to complement the enhanced features of the MEGA MATTEN rifle product line while retaining compatibility with SR25/DPMS pattern accessories to give you the most options for completing your build.

All receivers are precision-machined from solid billet aluminum and are held to extremely tight tolerances and high quality standards to ensure consistent fit and function. With its ambidextrous features, light weight, and superior finish, the MEGA MATEN Billet Lower Receiver is the perfect foundation for any rifle build.

MEGA MATEN Billet Lower Receiver features:

- Machined from American-made 7075-T651 billet aluminum
- True black Type III Class 2 hard coat anodize
- Integrated and enlarged trigger guard
- Generous flare-cut magazine well to facilitate quick magazine insertion
- Ambidextrous bolt release
- Threaded bolt catch for ease of assembly and disassembly compared to traditional roll pins
- All proprietary components are included

MODEL	WEIGHT	SKU
MEGA MATEN BILLET AMBI LOWER	14.1 oz.	MEGA-MATEN-LOWER-BIL



ZEV// MEGA BILLET AMBI RECEIVER SET

MATEN



The MEGA MATEN Billet Receiver Set was designed to complement the enhanced features of the MEGA MATEN rifle product line while retaining compatibility with SR25/DPMS pattern accessories to give you the most options for completing your build.

All receivers are precision-machined from solid billet aluminum and are held to extremely tight tolerances and high quality standards to ensure consistent fit and function. With its ambidextrous features, light weight, and superior finish, the MEGA MATEN Billet Receiver Set is the perfect foundation for any rifle build.

MEGA MATEN Billet Receiver Set features:

- Machined from American-made 7075-T651 billet aluminum
- True black Type III Class 2 hard coat anodize
- Integrated and enlarged trigger guard
- Generous flare-cut magazine well to facilitate quick magazine insertion
- Ambidextrous bolt release
- Threaded bolt catch for ease of assembly and disassembly compared to traditional roll pins
- Enhanced charging handle latch locking point prevents wear to the upper receiver
- Compatible with the Wedge Lock hand guard integral anti-rotation pin for consistent alignment of the top rail (sold separately)
- Ejection port cover comes pre-installed
- All proprietary components are included

MODEL	WEIGHT	SKU
MEGA MATEN BILLET SET	28.2 oz.	MEGA-MATEN-SET-BIL





The MEGA MATEN MML Billet Upper Receiver with either a 12", 14", or 16" M-LOK Handguard was designed to complement the enhanced features of the MEGA MATEN rifle product line while retaining compatibility with SR25/DPMS pattern accessories to give you the most options for completing your build.

All receivers are precision-machined from solid billet aluminum and are held to extremely tight tolerances and high quality standards to ensure consistent fit and function. With its light weight, and superior finish, the MEGA MATEN MML Billet Upper Receiver is the perfect foundation for any rifle build.

The narrow cross-section of the hand guard provides for an excellent ergonomic grip while the M-LOK negative space mounting system provides a smooth, hand-friendly surface in place of Picatinny rails.

MEGA MATEN Billet Upper Receiver features:

- Machined from American-made 7075-T651 billet aluminum
- True black Type III Class 2 hard coat anodize
- Ejection port cover comes pre-installed
- All proprietary components are included
- Black type III hard anodized aluminum hand guard
- One piece free float design with continuous top rail
- M-LOK compatible accessory mounting points for user customization
- Internal diameter of 1.75"



MODEL	SKU
MEGA MATEN MML BILLET UPPER; 12" HANDGUARD	MEGA-MATEN-UPPER-MML-12
MEGA MATEN MML BILLET UPPER; 14" HANDGUARD	MEGA-MATEN-UPPER-MML-14
MEGA MATEN MML BILLET UPPER; 16" HANDGUARD	MEGA-MATEN-UPPER-MML-16

